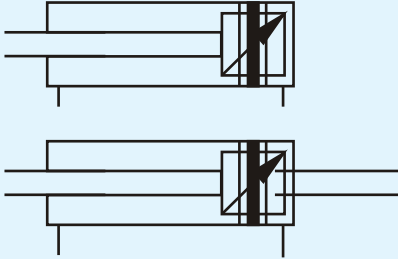


PNEUMATIC CYLINDERS
Automation Technology



GRAPHIC SIGN



ORDERING CODE

SC

Series Code

SC : Standard Double Action (Tie-Rod Type)

SCD : Double Shaft Double Action (Tie Rod Type)

SU : Standard Double Action (Micky Mouse Type)

SUD : Double Shaft Double Action (Micky Mouse Type)

50

Cylinder Bore

32mm-250mm

50

Stroke

S

Magnet Code

Blank : without Magnet

S:with Magnet

□

Fixed Type

Blank : Normal Type

LB : Front & Back Fixed Type

FA : Front Cover Fixed Type (Front flange type)

FB : Back Cover Fixed Type (Back flange type)

CA : Back Cover Fixed Type (Single Earring)

CB : Back Cover Fixed Type (Double Earring)

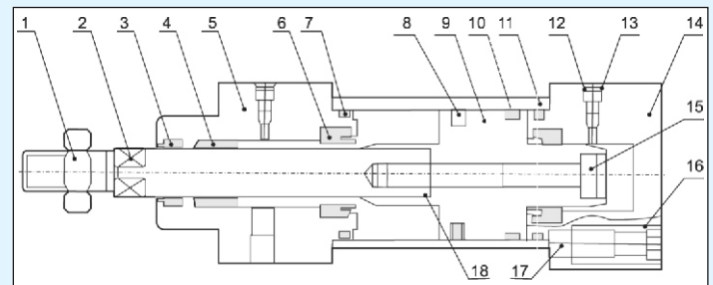
TC : Central Trunnion Type

TC-M : Central Trunnion Type attaching foot seat



INTERNAL STRUCTURE

No		No	
1	Piston Rod Nut	10	Wear Ring
2	Piston Rod	11	Barrel
3	Front Cover Seal ring	12	Buffering Barrel O-Ring
4	Bearing	13	Damping Adjustable Screw
5	Front Cover	14	Back Cover
6	Buffering O-Ring	15	Hex Socket Screw
7	Pipe Wall O-Ring	16	Tie Rod Nut
8	Piston O-Ring	17	Tie Rod
9	Piston	18	Piston Rod O-Ring



SPECIFICATION

Bore (mm)	32	40	50	63	80	100	125	160	200	250
Motion Pattern	Duble Action									
Working Medium	Air									
Fixed Type	Basic type FA type FB type CA type CB type LB type TC type TC-M type									
Operating Voltage Range	0.1~0.9kgf/cm2									
Ensured Pressure Resistance	1.35Mpa									
Operating Temperature Range	-5~70oC									
Operating Speed Range	300~800mm/s									
Buffer Type	Adjustable Buffer									
Buffer Stroke	24					32				
Port Size	G1/8"	G1/4"	G3/8"	G1/2"	G3/4"	G1"				

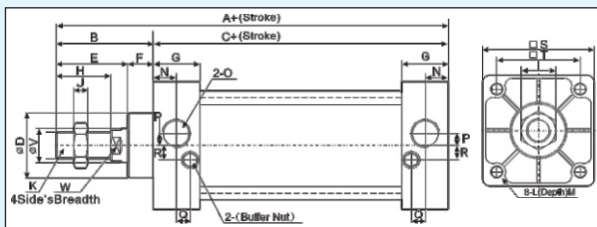


STROKE

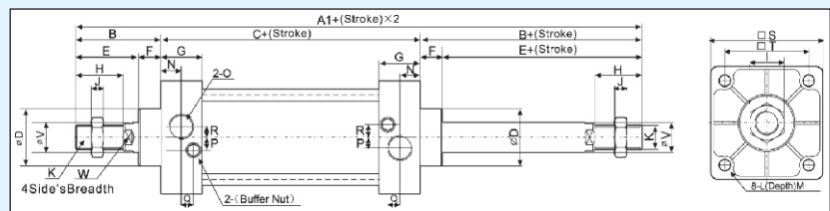
Bore	Standard Stroke																				Buffer Stroke
32	25	50	75	80	100	125	160	175	200	250	300	350	400	450	500	***	***	***	***	***	1000
40	25	50	75	80	100	125	160	175	200	250	300	350	400	450	500	600	700	800	***	***	1200
50	25	50	75	80	100	125	160	175	200	250	300	350	400	450	500	600	700	800	900	1000	1200
63	25	50	75	80	100	125	160	175	200	250	300	350	400	450	500	600	700	800	900	1000	1500
80	25	50	75	80	100	125	160	175	200	250	300	350	400	450	500	600	700	800	900	1000	1500
100	25	50	75	80	100	125	160	175	200	250	300	350	400	450	500	600	700	800	900	1000	1500
125	25	50	75	80	100	125	160	175	200	250	300	350	400	450	500	600	700	800	900	1000	1500
160	25	50	75	80	100	125	160	175	200	250	300	350	400	450	500	600	700	800	900	1000	1500
200	25	50	75	80	100	125	160	175	200	250	300	350	400	450	500	600	700	800	900	1000	1500
250	25	50	75	80	100	125	160	175	200	250	300	350	400	450	500	600	700	800	900	1000	1500

OVERALL DIMENSIONS

SC / SU



SCD / SUD

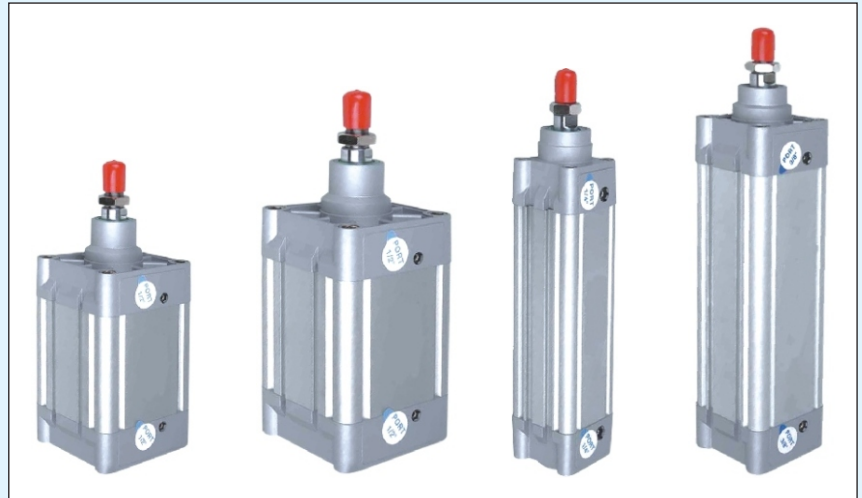
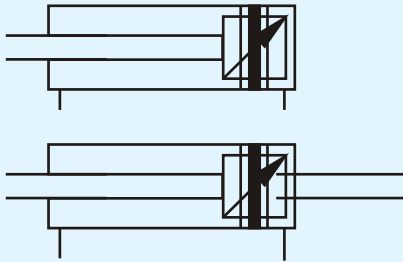


DIMENSIONS SHEET

Bore	A	A1	B	C	D	E	F	G	H	I	J	K
32	140	187	47	93	28	32	15	27.5	22	17	6	M10 X 1.25
40	142	191	49	93	32	34	15	27.5	24	17	7	M12 X 1.25
50	150	207	57	93	36	42	15	27.5	32	23	8	M16 X 1.5
63	153	210	57	96	36	42	15	27.5	32	23	8	M16 X 1.5
80	182	257	75	107	47	54	21	33	40	26	10	M20 X 1.5
100	188	263	75	108	47	54	21	33	40	26	10	M20 X 1.5
125	239	330	104	136	56	71	32	40	54	36	9	M27 X 2
160	291	412	121	162	62	92	60	50	72	50	16	M36 X 2
200	272	409	132	140	75	117	30	41	72	50	16	M36 X 2

Bore	L	M	N	O	P	Q	R	S	T	V	W	Z
32	M6 X 1	9.5	13.7	G1/8"	3.5	7.5	7	45	33	12	10	21
40	M6 X 1	9.5	13.5	G1/4"	6	8.2	9	50	37	16	14	21
50	M6 X 1	9.5	13.5	G1/4"	8.5	8.2	9	62	47	20	17	23
63	M8 X 1.25	9.5	13.5	G3/8"	7	9.5	8.5	75	56	20	17	23
80	M10 X 1.5	11.5	16.5	G3/8"	10	9.5	14	94	70	25	22	29
100	M10 X 1.5	11.5	16.5	G1/2"	11	/	14	112	84	25	22	29
125	M12 X 1.75	21	16.5	G1/2"	/	/	/	140	110	32	28	33
160	M16 X 2	25	26	G3/4"	/	/	/	180	140	40	36	38
200	M16 X 2	25	22.5	G3/4"	/	/	/	220	175	45	42	42

GRAPHIC SIGN



ORDERING CODE

DNC

Series Code

DNC : ISO6431 Standard
Double Action Type
DNCD : ISO6431 Standard
Two Axis Double Action Type

63

Cylinder Bore

32mm - 125mm

50

Stroke

S

Magnet Code

Blank : with out Magnet
S : with Magnet

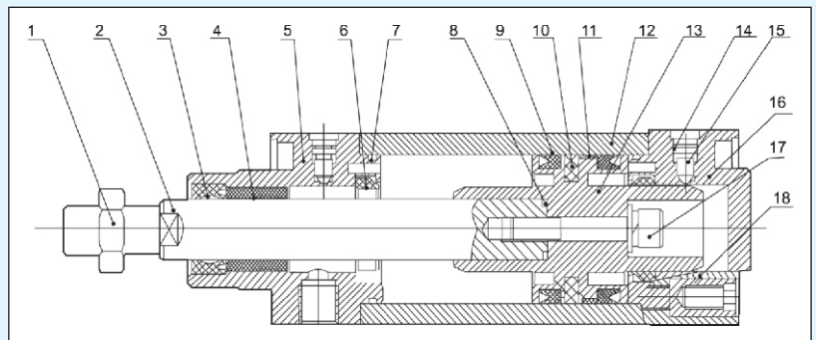
□

Fixed Type

Blank : Normal type
LB : Front & back fixed type
FA : Front cover fixed type (Front flange type)
FB : Back cover fixed type (Back flange type)
CA : Back cover fixed type (Single Earring)
CB : Back cover fixed type (Double Earring)
SDB : Back cover fixed type

INTERNAL STRUCTURE

No	Description	No	Description
1	Piston Rod Nut	10	Magnet (Optional)
2	Piston Rod	11	Wear Ring
3	Front Cover Seal Ring	12	Barrel
4	Bearing	13	Piston
5	Front Cover	14	Cushion Seal
6	Buffering O-Ring	15	Cushion Needle
7	O-Ring	16	Back Over
8	Piston rod O-Ring	17	Hex Socket Screw
9	Piston O-Ring	18	Profile Bolt



SPECIFICATION

Bore (mm)	32	40	50	63	80	100	125
Motion Pattern	Filtered Air						
Working Medium	Double Action						
Compression Pressure	1.5MPa						
Max. Operating Pressure	1.0MPa						
Min. Operating Pressure	0.1MPa						
Buffer	Air Buffer (Standard)						
Condition Temperature	-5~70C						
Operating Speed	50~800mm/s						
Port Size	G1/8"	G1/4"	G3/8"	G1/2"			

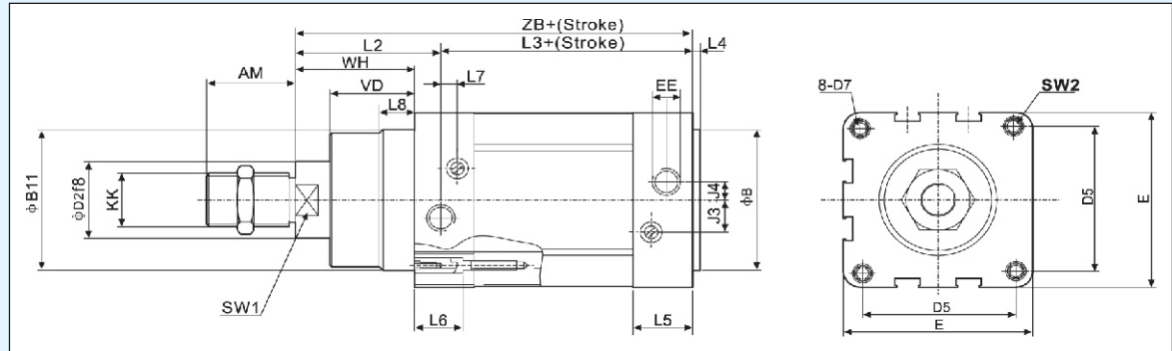
STROKE

Bore	Standard Stroke	Buffer Stroke	Stroke Range
32	25	20	10~2000
	40		
40	50	22	
	80		
50	100	32	
	125		
63	160	35	
	200		
80	250	35	
	320		
100	400	35	
	500		
125	500		



OVERALL DIMENSIONS

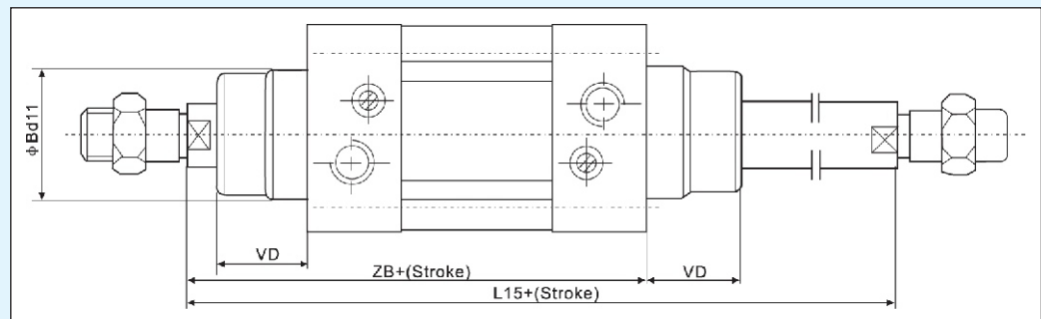
Normal Type DNC-S



DIMENSIONS SHEET

Bore	AM	B	D2	D5	D7	E	EE(G)	J3	J4	KK	L2	L3	L4	L5	L6	L7	L8	Sw1	Sw2	VD	WH
32	22	30	12	32.5	M6	45	1/8	6	5.2	M10 X 1.25	41.6	62.8	4	26	16	3.3	10	10	6	12	26
40	24	35	16	38	M6	54	1/4	8	6	M12 X 1.25	44	77	4	29.6	16	3.6	10.5	13	6	20	30
50	32	40	20	46.5	M8	64	1/4	10	8.5	M16 X 1.5	51	78	4	30	17	5.1	11.5	17	8	27	37
63	32	45	20	56.5	M8	75	3/8	12.4	10	M16 X 1.5	54	87	4	35.6	17	6.6	15	17	8	27	37
80	40	45	25	72	M10	93	3/8	12.5	8	M20 X 1.5	62.4	95.2	4	35.9	17	10.5	15.7	22	10	34.7	46
100	40	55	25	89	M10	110	1/2	11.8	10	M20 X 1.5	69.8	100.4	4	39	17	8	19.2	22	10	38	51
125	54	60	32	110	M12	134	1/2	13	8	M27 X 2	83	124	6	44.7	22	14	20.5	28	12	46	65

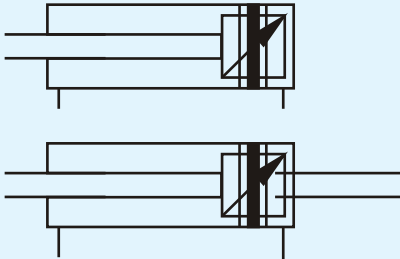
Double Piston Rod Type DNC-D-S



DIMENSIONS SHEET

Bore	32	40	50	63	80	100
B	30	35	40	45	45	55
L15	46	165	180	195	220	240
VD	16	20	27	27	34.7	38.2
ZB	120	135	143	158	174	189

GRAPHIC SIGN



ORDERING CODE

MAL

Series Code

MAL : Double Action Type
MSAL : Single Extrusion Type
MALD : Dual Double Action Type

20

Cylinder Bore

16mm~40mm

50

Stroke

S

Magnet Code

Blank : without Magnet
S:with Magnet

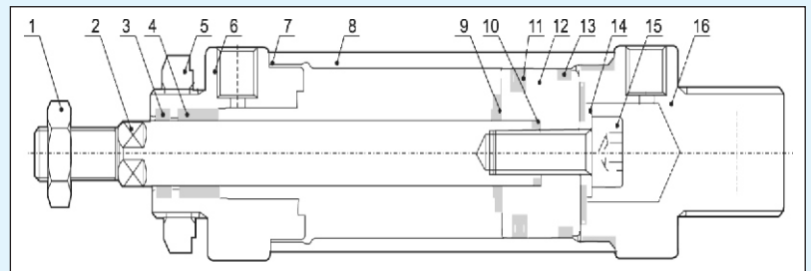
□

Fixed Type

Blank : Normal Type
LB : Front & Back Fixed Type
FA : Front Cover Fixed Type
SDB : Back Cover Swinging Type

INTERNAL STRUCTURE

No		No	
1	Piston Rod Nut	9	Anti-crash Cushion
2	Piston Rod	10	Piston Rod O-Ring
3	Front Cover Seal ring	11	Piston O-Ring
4	Oiled Bearing	12	Piston
5	Front Cover Nut	13	Wear Ring
6	Front Cover	14	Back Cushion
7	Pipe Wall O-Ring	15	Hex Socket Screw
8	Aluminum Tube	16	Back Cover



SPECIFICATION

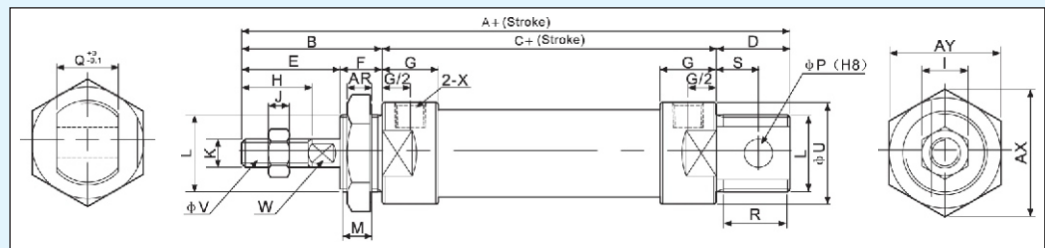
Bore (mm)	16	20	25	32	40
Motion Pattern	Double Action or Single Action				
Working Medium	Air				
Fixed Type	Normal Type LB Type FA Type SDB Type				
Operating Voltage Range	0.1~0.9Mpa				
Ensured Pressure Resistance	1.35Mpa				
Operating Temperature Range	-5~70℃				
Operating Speed Range	30~800mm/s				
Buffer Type Standard Type	Anti-Crash Cushion				
Buffer Type Damping Type	Adjustable Cushion				
Port Size	M5X0.8	G1/8"	G1/8"	G1/8"	G1/4"

STROKE

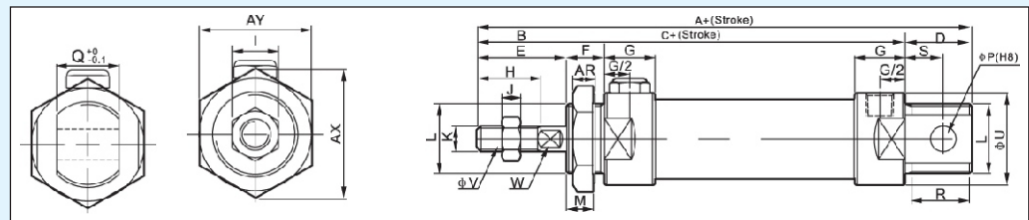
Bore	Standard Stroke															Max. Stroke
16	25	50	75	80	100	125	160	175	200							300
20	25	50	75	80	100	125	160	175	200	250	300					300
25	25	50	75	80	100	125	160	175	200	250	300	350	400	450	500	300
32	25	50	75	80	100	125	160	175	200	250	300	350	400	450	500	300
40	25	50	75	80	100	125	160	175	200	250	300	350	400	450	500	300

OVERALL DIMENSIONS

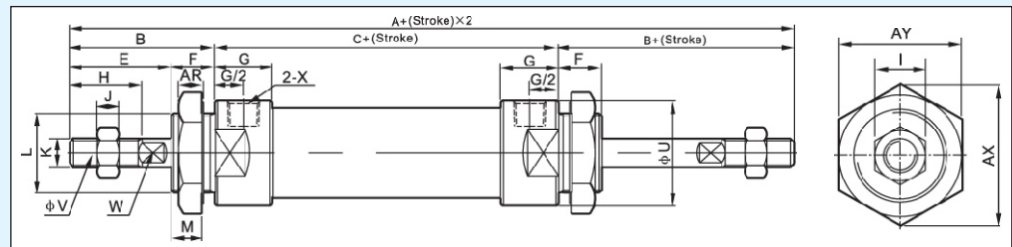
MAL



MSAL



MALD



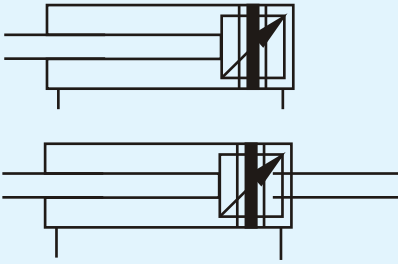
DIMENSIONS SHEET

Bore	A	A-MALD	B	C	D	E	F	G	H	I	J	K
16	114	- - -	38	60	16	22	16	10	16	10	5	M6 X 1
20	131	150	40	70	21	28	16	16	20	12	6	M8 X 1.25
25	135	158	44	70	21	30	16	16	22	17	6	M10 X 1.25
32	141	158	44	70	27	30	16	16	22	17	6	M10 X 1.25
40	165	184	45	92	27	32	22	22	24	17	7	M12 X 1.25

Bore	L	M	P	Q	R	S	U	V	W	X	AR	AX	AY
16	M16 X 1.5	14	6	12	14	9	21	6	5	M5	6	25	22
20	M22 X 1.5	10	8	16	19	12	29	8	6	G1/8"	7	33	29
25	M22 X 1.5	1	8	16	19	12	34	10	8	G1/8"	7	33	29
32	M24 X 2.0	12	10	16	25	15	39.5	12	10	G1/8"	8	37	32
40	M30 X 2.0	12	12	20	25	15	49.5	16	14	G1/4"	9	37	41



GRAPHIC SIGN



ORDERING CODE

MS

Series Code

MS : Double Action Type
MSS : Single-Extrusion Type

20

Cylinder Bore

8mm-25mm

50

Stroke

S

Magnet Code

Blank : without Magnet
S:with Magnet

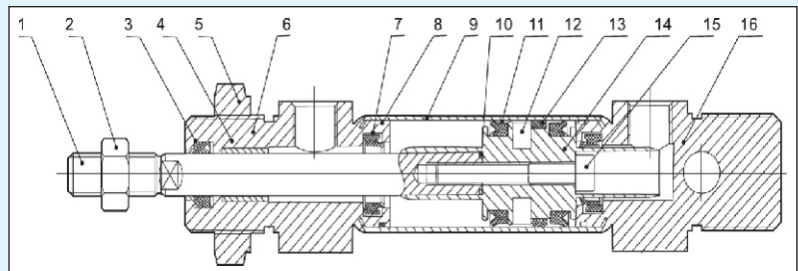
□

Fixed Type

Blank : Normal Type
LB : Front & Back Fixed Type
FA : Front Cover Fixed Type
SDB : Back Cover Swinging Type
U : Back Cover Fixed Type

INTERNAL STRUCTURE

No		No	
1	Piston Rod	9	Barrel
2	Piston Rod Nut	10	Piston Rod O-Ring
3	Front Cover Seal ring	11	Piston O-Ring
4	Bearing	12	Magnet (Optional)
5	Hexagon Screw	13	Wear Ring
6	Front Cove	14	Piston
7	Cushion Ring	15	Hex Socket Screw
8	O-Ring	16	Back Cover



SPECIFICATION

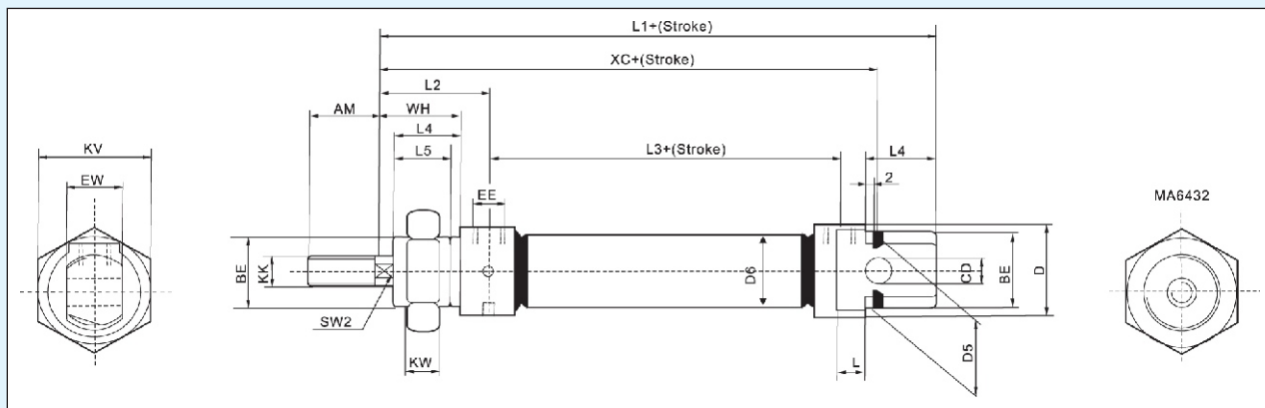
Bore (mm)	8	10	12	16	20	25
Fluid	Air					
Motion Pattern	Double Action					
Ensured Pressure Resistance	15.3kgf/cm ² (1.5Mpa)					
Max. Pressure	10.2kgf/cm ² (1.0Mpa)					
Min. Pressure	0.5kgf/cm ² (0.05Mpa) 1kgf/cm ² (0.1Mpa)					
Environment & Fluid Temp	-10~+80oC (Internal Magnetic Install by Tach Strap : Type Max : 60oC)					
Piston Velocity	Rubber Buffer (Standard), Air Buffer (Option)					
Buffering	50~750mm/s					
Kinetic energy to Lerance (kgf/cm)	0.2	0.3	0.4	0.9	2.7	4
Port Size	M5 X 0.8				G1/8"	



STROKE

Bore	Standard Stroke												Max. Stroke
8	10	25	40	50	80	100	125	160	200				400
10	10	25	40	50	80	100	125	160	200				400
12	10	25	40	50	80	100	125	160	200				400
16	10	25	40	50	80	100	125	160	200				400
20	25	40	50	80	100	125	150	160	175	200	250	300	1000
25	25	40	50	80	100	125	150	160	175	200	250	300	1000

OVERALL DIMENSIONS

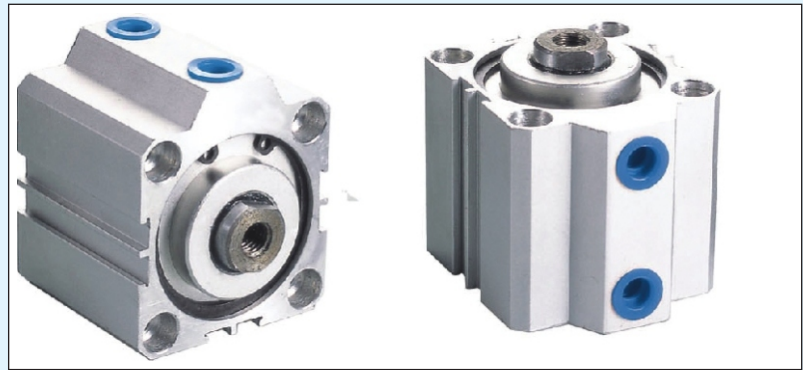
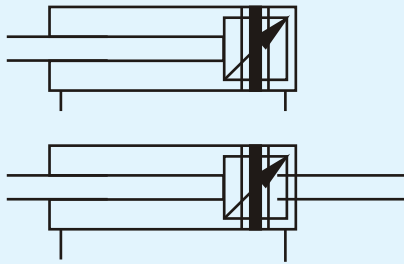


DIMENSIONS SHEET

Bore	AM	BE	ΦCD	ΦD	ΦD5	ΦD6	EE	EW	AM	KK	KV	KW	L	L1	L2	L3	L4	L5	SW2	WH	XC
8	12	M12 X 1.25	4	15	15	12	M5	8	12	M4	19	6	6	78	22	34	12	10	-	16	64
10	12	M16 X 1.25	4	15	15	12	M5	8	12	M4	19	6	6	78	22	34	12	10	-	16	64
12	16	M16 X 1.5	6	20	20	16	M5	12	16	M6	24	8	9	89	28	38	17	15	5	22	75
16	16	M16 X 1.5	6	20	20	16	M5	12	16	M6	24	8	9	95	28	44	17	15	5	22	82
20	20	M22 X 1.5	8	27	27	22	G1/8"	16	20	M8	32	11	12	112	32	51.6	20	18	7	24	95
25	22	M22 x1.5	8	27	27	22	G1/8"	16	22	M10X1.25	32	11	12	120	36	53.1	22	20	9	26	104



GRAPHIC SIGN



ORDERING CODE

SDA

Series Code

SDA : Double Action Type

20

Cylinder Bore

12mm~100mm

30

Stroke

S

Magnet Code

Blank : without Magnet
S : Attach Magnet

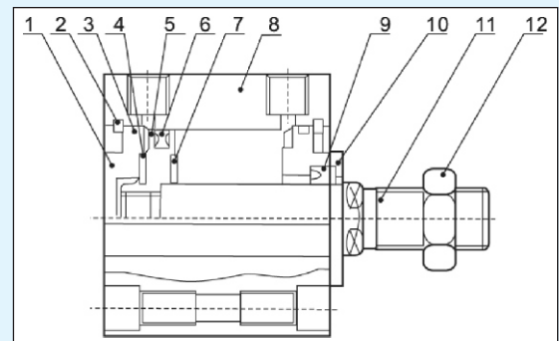
B

Cog Type

Blank : Inner Thread
B : Outer Thread
N : No Thread

INTERNAL STRUCTURE

No		No	
1	Back Cover	7	Anti - Crash Cushion
2	Type C Buckle Ring	8	Barrel
3	O-Ring	9	Front Cover Seal Ring
4	Anti - Crash Cushion	10	Front Cover
5	Piston	11	Piston Rod
6	Piston O-Ring	12	Piston Rod Nut



SPECIFICATION

Bore (mm)	12	16	20	25	32	40	50	63	80	100
Motion Pattern	Double Action Single Acting Extrusion type Single Acting Drawing - in Type									
Working Medium	Air									
Operating Voltage Range Double Action	0.1~0.9MPa									
Operating Voltage Range Single Action	0.2~0.9MPa									
Ensured Pressure Resistance	1.35Mpa									
Operating Temperature Range	-5~70°C									
Operating Speed Range Double Action	300~500mm/s		300~350mm/s			300~250mm/s				
Operating Speed Range Single Action	100~500mm/s									
Buffer Type	Fixed Type Buffer									
Port Size	M5 X 0.5		G1/8"		G1/4"		G3/8"			

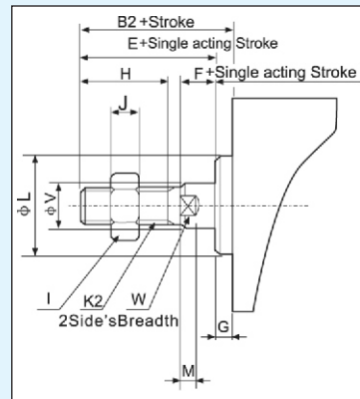


STROKE

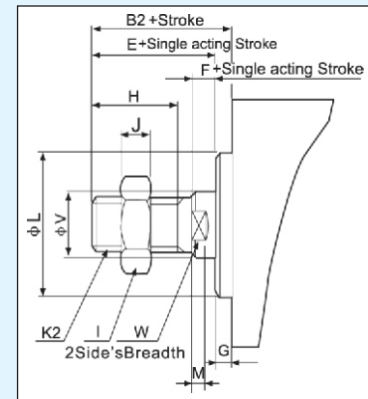
Bore		12	16	20	25	32	40	50	63	80	100
Double Action	Not Attach Magnet	5~60mm Every 5mm is Grouped as one grade		5~85mm Every 5mm is Grouped as one grade	5~90mm Every 5mm is Grouped as one grade	100~110mm Every 5mm is Grouped as one grade		5~90mm Every 5mm is Grouped as one grade	100~130mm Every 5mm is Grouped as one grade		
	Attach Magnet	5~60mm Every 5mm is Grouped as one grade		5~75mm Every 5mm is Grouped as one grade	5~90mm Every 5mm is Grouped as one grade	100mm		5~90mm Every 5mm is Grouped as one grade	100~120mm Every 5mm is Grouped as one grade		
Single Action	Not Attach Magnet	5~30mm Every 5mm is Grouped as one grade						5~30mm Every 5mm is Grouped as one grade	---		
	Attach Magnet	5~30mm Every 5mm is Grouped as one grade						5~30mm Every 5mm is Grouped as one grade	---		
Max. Stroke		50mm		100mm		120mm		130mm			

OUTER THREAD DIMENSIONS

φ12 ~ φ16



φ20 ~ φ100



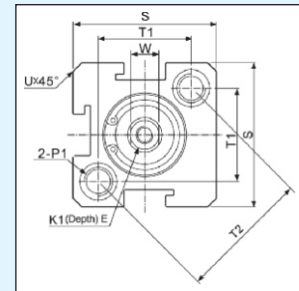
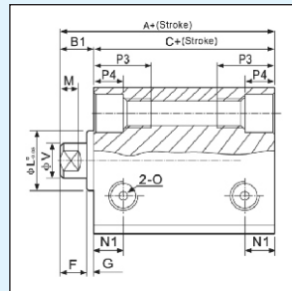
BORE / SYMBOL

Bore	B2	E	F	G	H	I	J	K2	L	M	V	W
12	17	16	4	1	10	8	4	M5 X 0.80	10.2	2.8	6	5
16	17.5	16	4	1.5	10	8	4	M5 X 0.80	11	2.8	6	5
20	20.5	19	4	1.5	13	10	5	M6 X 1.00	16	2.8	8	6
25	23	21	4	2	15	12	6	M10 X 1.50	17	2.8	10	8
32	25	22	4	3	15	17	6	M14 X 1.50	22	2.8	12	10
40	35	32	4	3	25	19	8	M18 X 1.50	28	2.8	16	14
50	37	33	5	4	25	27	11	M18 X 1.50	38	2.8	20	17
63	37	33	5	4	25	27	11	M22 X 1.50	40	2.8	20	17
80	44	39	6	5	30	32	13	M22 X 1.50	45	4	26	22
100	50	45	7	5	35	36	13	M26 X 2.00	55	4	32	27

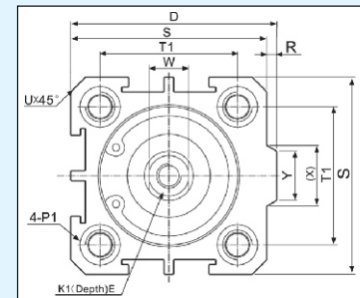
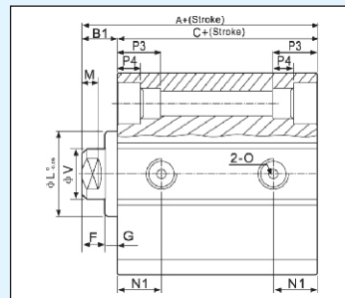


OVERALL DIMENSIONS

φ12 ~ φ16



φ20 ~ φ100



DIMENSIONS SHEET

Type Bore Size / Symbol	Standard Type			Attach Magnet			D	F	G	K1	L	M	N1
	A	B1	C	A	B1	C							
12	22	5	17	32	5	27	-	4	1	M3 X 0.50	10.2	2.8	6.3
16	24	5.5	18.5	34	5.5	28.5	-	4	1.5	M3 X 0.50	11	2.8	7.3
20	25	5.5	19.5	35	5.5	29.5	36	4	1.5	M4 X 0.70	15	2.8	7.5
25	27	6	21	37	6	31	42	4	2	M5 X 0.80	17	2.8	8
32	31.5	7	24.5	41.5	7	34.5	50	4	3	M6 X 1.00	22	2.8	9
40	33	7	28	43	7	36	58.5	4	3	M8 X 1.250	28	2.8	10
50	37	9	28	47	9	38	71.5	5	4	M10 X 1.50	38	2.8	10.5
63	41	9	32	51	9	42	84.5	5	4	M10 X 1.50	40	2.8	11.8
80	52	11	41	62	11	51	104	6	5	M14 X 1.50	45	4	14.5
100	63	12	51	73	12	61	124	7	5	M18 X 1.50	55	4	20.5

Bore Size / Symbol	N3	O	P1	P3	P4	R	S	T1	T2	U	V	W	X	Y
12	6	M5 X 0.8	Double Side : φ 6.5/Thread:M5x0.8/Through Ports :φ4.2	12	4.5	-	25	16.2	23	1.6	6	5	-	-
16	6.5	M5 X 0.8	Double Side : φ 6.5/Thread:M5x0.8/Through Ports :φ4.2	12	4.5	-	29	19.8	28	1.6	6	5	-	-
20	-	M5 X 0.8	Double Side : φ6.5/Thread:M5x0.8/Through Ports :φ4.2	14	4.5	2	34	24	-	2.1	8	6	11.3	10
25	-	M5 X 0.8	Double Side : φ8.2/Thread:M6x1/Through Ports :φ4.6	15	5.5	2	40	28	-	3.1	10	8	12	10
32	-	G1/8"	Double Side : φ8.2/Thread:M6x1/Through Ports :φ4.6	16	5.5	6	44	34	-	2.15	12	10	18.3	15
40	-	G1/8"	Double Side : φ10/Thread:M6x1.25/Through Ports :φ6.5	20	7.5	6.5	52	40	-	2.25	16	14	21.3	16
50	-	G1/4"	Double Side : φ11/Thread:M8x1.25/Through Ports :φ6.5	25	8.5	9.5	62	48	-	4.15	20	17	30	20
63	-	G1/4"	Double Side : φ11/Thread:M8x1.25/Through Ports :φ6.5	25	8.5	9.5	75	60	-	3.15	20	17	28.7	20
80	-	G3/8"	Double Side : φ14/Thread:M12x1.75/Through Ports :φ9.2	25	10.5	10	94	74	-	3.65	25	22	36	26
100	-	G3/8"	Double Side : φ17.5/Thread:M14x2/Through Ports :φ11.3	30	13	10	114	90	-	3.65	32	27	35	26



ORDERING CODE

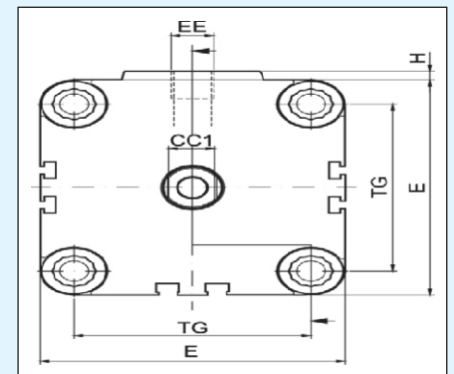
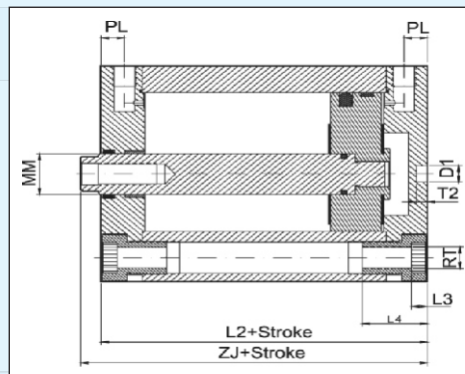
ADVU	50	80	A	A	S2
Type	Cylinder Bore	Stroke	Cog Type	Magnet Code	Plunger Code
ADVU : Double Action Type AEVUZ : Single-drive type AEVUD : Double - Shalf Double Action Type	16mm - 100mm	Normal Type φ 16-25 : 1-200mm φ 32-63 : 1-3300mm φ 80-100 : 1-400mm Single Action φ 12 : 1-10mm φ 16-100 : 1-25mm	Blank : Inner Thread A : Outer Thread	Blank : With Out Magnet A : Attach Magnet	Blank : Single end Connecting Rod S2 : Both ends Connecting Rod

SPECIFICATION

Bore (mm)	16	20	25	32	40	50	63	80	100	
Action	Double Acting, Single & Double Rod									
Working Medium	Air									
Ensured Pressure Resistance	1.5MPa									
Operating Pressure Range ADVU - - P-A	0.12~1.0mpa	0.1~1.0mpa	0.08~1.0MPa			0.08~1.0MPa				
Operating Pressure Range ADVU - - P-A-S2	0.13~1.0mpa	0.12~1.0mpa	0.1~1.0MPa			0.1~1.0MPa				
Ambient & Fluid Temperature	-20~80 (No Freezing)									
Port Size	M5				G1/8"			G1/4"		
Piston Female Thread	M5	M5	M6		M8	M10	M12			
Piston Male Thread	M8	M10 X 1.25			M12 X 1.25	M16 X 1.5	M20 X 1.5			
Cushion	Rubber Bumper									

INTERNAL STRUCTURE

ADVU



DIMENSIONS SHEET

Bore Size (mm)	D1	E	EE	H	L2	L3	L4	MM	PL	RT	T2	TG	ZJ	CC1
16	6	29	M5	1	38	4	18.5	8	8	M4	4	18	41	6
20	6	35.5	M5	1.5	38	4	18.5	10	8	M5	4	22	41	8
25	6	39.5	M5	1.5	39.5	4	18.5	10	8	M5	4	26	43.5	8
32	6	49.5	G1/8	2	44.5	5	22	12	8	M6	4	32	49.5	10
40	6	59.5	G1/8	2.5	45.5	5	22	12	8	M6	4	42	51	10
50	6	68	G1/8	2.8	46.5	5	22	16	8	M8	4	50	53	14
63	8	86	G1/8	4	50	6	26	16	8	M10	4	62	56	14
80	8	106	G1/8	4	56	6	26	20	8.5	M10	4	82	62	17
100	8	128	G1/4	5	66.5	8	26	35	10.5	M10	4	103	76.5	24



SC / SU CYLINDER ACCESSORIES

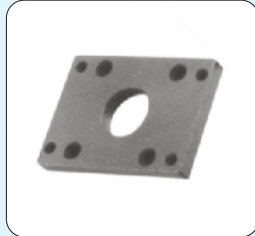
CA Male Claves



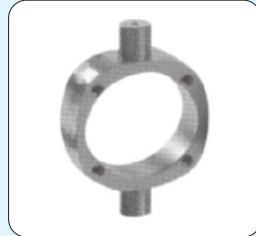
CB + PIN Female Claves Mounting



FA / FB Front & Rear Flange



TC Center Trunnion



LB LEG Bracket



SC / DNC / SU / MAL / MS CYLINDER ACCESSORIES

Fish-Eye Adapter



Floating Joint



Axes Adapter - Y



I-PIN



Y+PIN with Clip

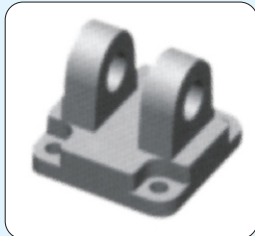


DNC CYLINDER ACCESSORIES

CA Male Claves



CB + PIN Female Claves Mounting



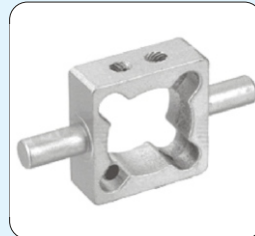
FA / FB Front & Rear Flange



LB LEG Bracket



TC Center Trunnion

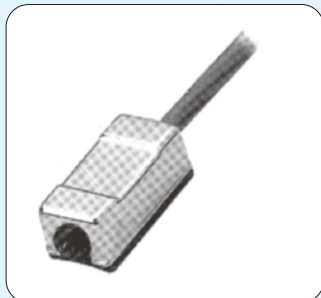


MAGNETIC SENSOR SWITCHCG

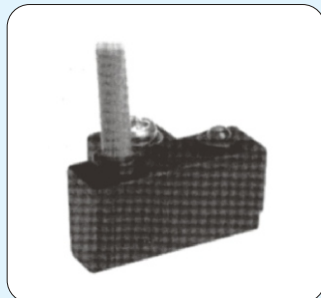
XC-03R / MAL & MS



XC-21R / SC & SU



XC-11R / SDA



XC-31R / DNC

