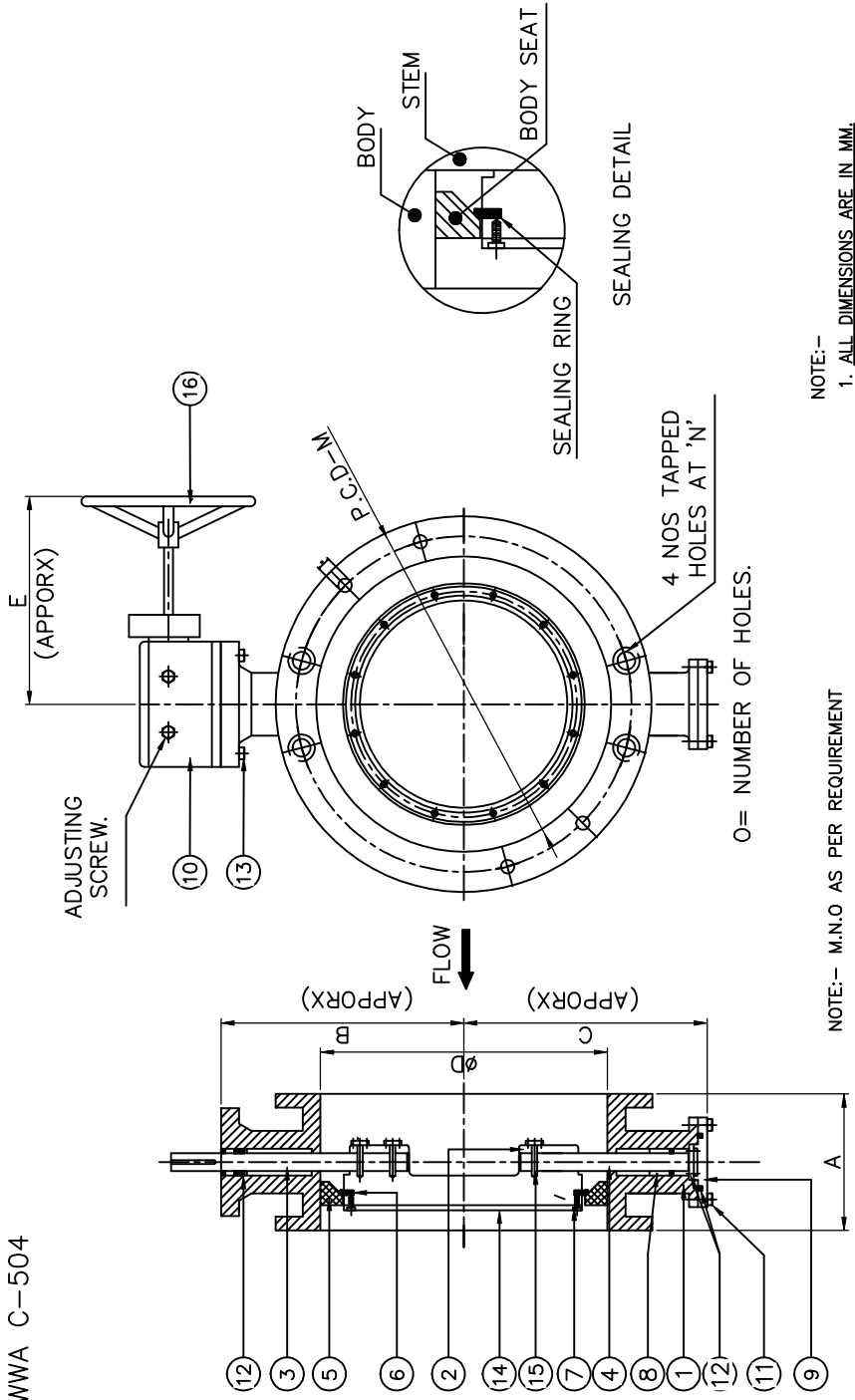


AWWA C-504



NOTE:- M.N.I.O AS PER REQUIREMENT

M = \_\_\_\_\_  
 N = \_\_\_\_\_  
 O = \_\_\_\_\_

NOTE:-

- 1) LATING LENGTH 'A' CONFORMAS TO EN 593 (BS : 5155 ) DOUBLE FLANGE SHORT. OTHER DIMENSIONS AND WEIGHTS ARE INDICATIVE.
- 2) NEOPRENE & EPDM SELL RING CAN ALSO BE PROVIDED. PITE SEAL RING NOT AVAILABLE.
- 3) FOR VITON & SILICON SEAT .Pr. RATING PN 6 & PN 2.5
- 4) ALL DIMENSION ARE IN mm.

CONFORMITY TO CODES & STANDARDS

- 1) GENERAL DESIGN & MANUFACTURE :- AWWA C-504
- 2) VALVE FACE TO FACE DIMENSION :- AWWA C-504
- 3) TOP FLANGE DRILLING :- ISO 5211
- 4) VALVE INSPECTION & TESTING :- AWWA C-504
- 5) FLANGE STANDARD CONFORMITY :- ANSI 150 / ANSI 125 / BS 10 TAB D & E IS 6392 NP 0.6 / 1.0 / 1.6

NOTE:-

1. ALL DIMENSIONS ARE IN MM.
2. DIMENSION AS PER AWWA C -504

SIZE	DIMENSIONS									
	MM	INCH	A	B	C	D	E	F	G	H
350	14"	203	320	308	355	268				
400	16"	203	360	343	404	263				
450	18"	203	390	373	454	312				
500	20"	203	420	408	504	359				
600	24"	203	500	464	606	463				
700	28"	305	565	532	706	430				
800	32"	305	630	650	806	615				
900	36"	305	695	735	908	930				
1000	40"	305	745	765	1008	930				
1200	48"	381	855	880	1210	645				
1400	56"	381	990	1015	1410	930				
1600	64"	457	1070	1190	1610	735				

MATERIAL OF CONSTRUCTION

SR.NO	PART NAME	QTY.	MATERIAL
1	BODY	1	M.S. FABRICATED.
2	DISC	1	SG/WCB/S.S 304/316
3	STEM UPPER	1	SS 410 / 304/316
4	STEM LOVER	1	SS 410 / 304/316
5	BODY SEAT	1	SS 304/316
6	SEALING RING	1	NITRILE/EPDM/SILICON VITON/HYPALON.
7	HEX.SOC.HD.CAP. SCREW	1	SS 304/316
8	LOWER STEM BEARINGS.	1	BEARING.
9	BOTTOM CAP	1	STEEL.
10	GEAR BOX	1	CI HOUSINGS.
11	HEX. SCREW	1SET	STEEL
12	'O'RING	4	NITRILE
13	HEX. SCREW & SP. WASHER	4SET	STEEL
14	DISC CLAMPING RING	1	SS 304/316
15	HEX BOLT	3	SS 304
16	HAND WHEEL	1	M.S.FABRICATED.

SEAT TEMPERATURE RANGE

SEAT TYPE.	TEMPERATURE RANGE	
	MIN.	Max.
NITRILE	-13°F(-25°C)	212°F(100°C)
EPDM	-13°F(-25°C)	250°F(120°C)
SILICON	-58°F(-50°C)	356°F(180°C)
VITON	-23°F(-5°C)	392°F(200°C)
HYPALON	-4°F(-20°C)	250°F(120°C)

TESTING

SIZES	RATING	HYDROSTATIC SHELL TEST		HYDROSTATIC SEAT TEST	
		kg/CM2	PSI	kg/CM2	PSI
350 TO 600	PN10	15	210	10	140
700 TO 1600	PN6	9	126	6	84
	PN2.5	3.75	52.5	2.5	35

CLIENT :-

TITLE :DOUBLE FLANGED ECCENTRIC TYPE BUTTERFLY VALVE

DATE 26/10/18  
 DRAWN BY S.S.BAGUL  
 CHECKED  
 APPROVED BY  
 PLOT SCALE NTS  
  
 KARMA AUTOMATION INDUSTRIES.  
 MIDC, AMBERNATH-421506  
 DRG.NO. KA/DF-BFV-G/350-1600 SHEET A3

MATERIAL OF CONSTRUCTION

SR.NO	PART NAME	QTY.	MATERIAL
1	BODY	1	M.S. FABRICATED.
2	DISC	1	SG/WCB/S.S 304/316
3	STEM UPPER	1	SS 410 / 304/316
4	STEM LOVER	1	SS 410 / 304/316
5	BODY SEAT	1	SS 304/316
6	SEALING RING	1	NITRILE/EPDM/SILICON VITON/HYPALON.
7	HEX.SOC.HD.CAP. SCREW	1	SS 304/316
8	LOWER STEM BEARINGS.	1	BEARING.
9	BOTTOM CAP	1	STEEL.
10	GEAR BOX	1	CI HOUSINGS.
11	HEX. SCREW	1SET	STEEL
12	'O'RING	4	NITRILE
13	HEX. SCREW & SP. WASHER	4SET	STEEL
14	DISC CLAMPING RING	1	SS 304/316
15	HEX BOLT	3	SS 304
16	HAND WHEEL	1	M.S.FABRICATED.

SEAT TEMPERATURE RANGE

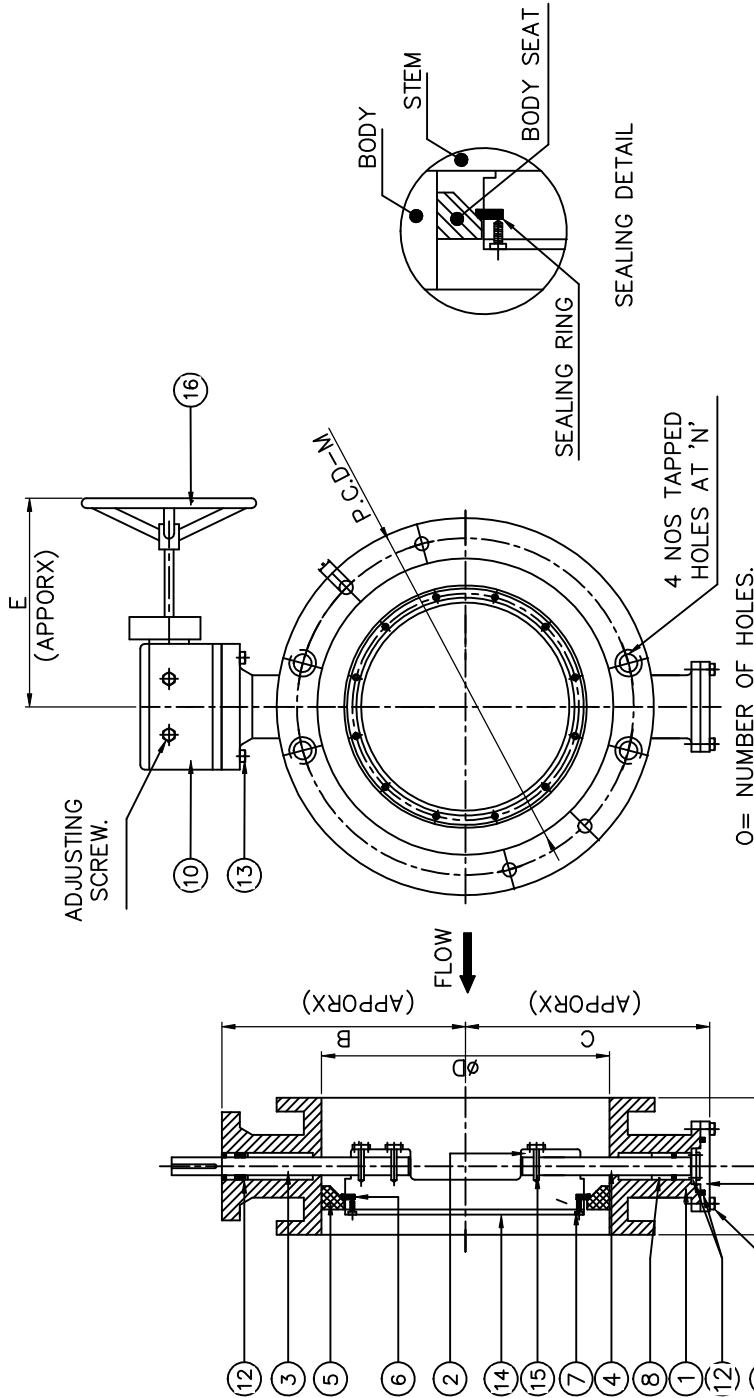
SEAT TYPE.	TEMPERATURE RANGE	
	MIN.	Max.
NITRILE	-13°F(-25°C)	212°F(100°C)
EPDM	-13°F(-25°C)	250°F(120°C)
SILICON	-58°F(-50°C)	356°F(180°C)
VITON	-23°F(-5°C)	392°F(200°C)
HYPALON	-4°F(-20°C)	250°F(120°C)

TESTING

SIZES	RATING	HYDROSTATIC SHELL TEST		HYDROSTATIC SEAT TEST	
		kg/CM2	PSI	kg/CM2	PSI
350 TO 600	PN10	15	210	10	140
700 TO 1600	PN6	9	126	6	84
	PN2.5	3.75	52.5	2.5	35

CLIENT

TITLE :DOUBLE FLANGED ECCENTRIC TYPE BUTTERFLY VALVE	
DATE	26/10/18
DRAWN BY	S.S.BAGUL
CHECKED	
APPROVED BY	
PLOT SCALE	NTS
DRG.NO.	KA/DF-BFV-G/350-1600
KARMA AUTOMATION INDUSTRIES KARMA AUTOMATION INDUSTRIES. MIDC, AMBERNATH-421506	
SHEET A3	



NOTE:-  
1. ALL DIMENSIONS ARE IN MM.

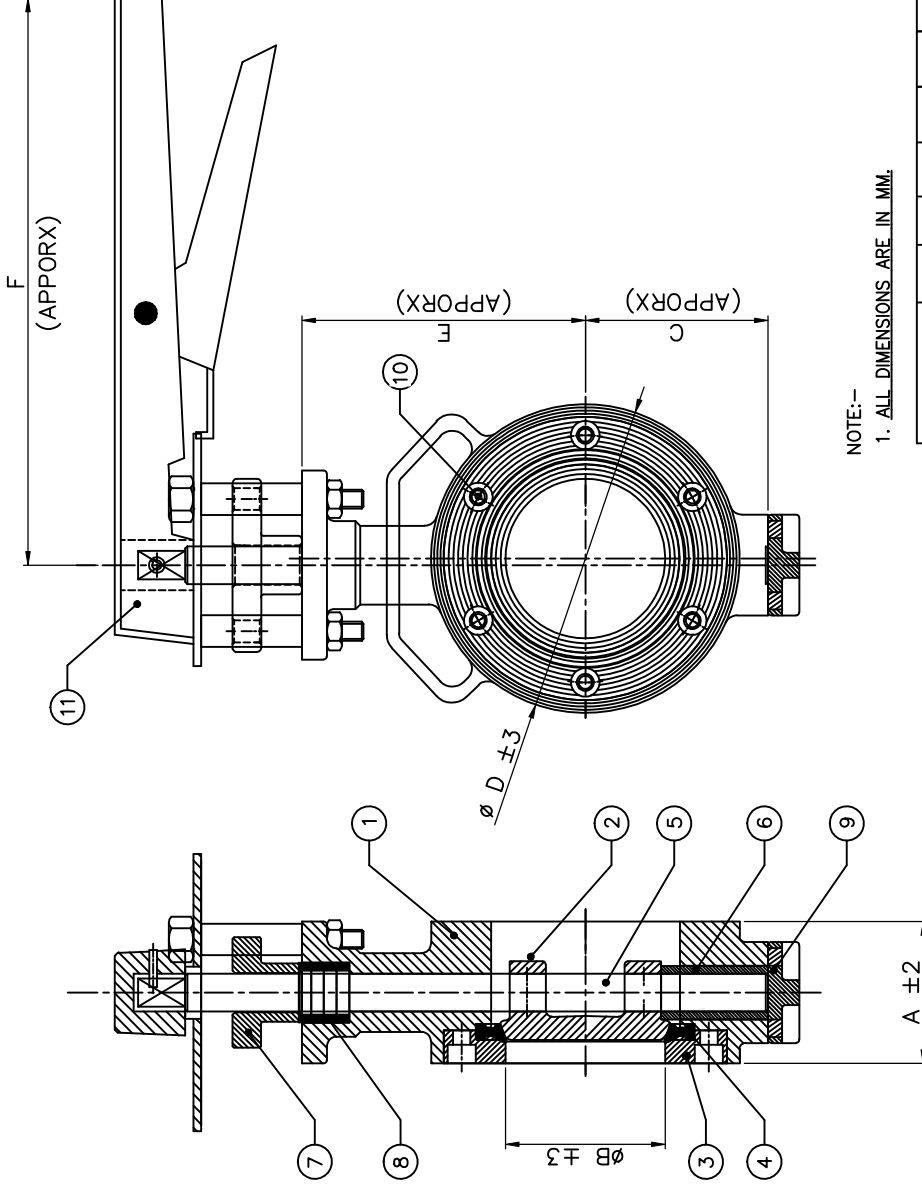
SIZE	DIMENSIONS									
	MM	INCH	A	B	C	D	E	F	G	H
350	14"	203	320	308	355	268				
400	16"	203	360	343	404	263				
450	18"	203	390	373	454	312				
500	20"	203	420	408	504	359				
600	24"	203	500	464	606	463				
700	28"	305	565	532	706	430				
800	32"	305	630	650	806	615				
900	36"	305	695	735	908	930				
1000	40"	305	745	765	1008	930				
1200	48"	381	855	880	1210	645				
1400	56"	381	990	1015	1410	930				
1600	64"	457	1070	1190	1610	735				

NOTE:- M.N.O AS PER REQUIREMENT  
M = \_\_\_\_\_  
N = \_\_\_\_\_  
O = \_\_\_\_\_

- NOTE:-
- LATING LENGTH 'A' CONFORMAS TO EN 593 (BS : 5155 ) DOUBLE FLANGE SHORT. OTHER DIMENSIONS AND WEIGHTS ARE INDICATIVE.
  - NEOPRENE & EPDM SELL RING CAN ALSO BE PROVIDED. PITE SEAL RING NOT AVAILABLE.
  - FOR VITON & SILICON SEAT .Pr. RATING PN 6 & PN 2.5
  - ALL DIMENSION ARE IN mm.

CONFORMITY TO CODES & STANDARDS

- GENERAL DESIGN & MANUFACTURE :- BS 5155 / API 609 / EN 593 / IS 13095
- VALVE FACE TO FACE DIMENSION :- BS 5155 / ISO5752 / API 609
- TOP FLANGE DRILLING :- ISO 5211
- VALVE INSPECTION & TESTING :- BS 6755 PART - I / API 598 / EN 12286-1
- FLANGE STANDARD CONFORMITY :- ANSI 150 / ANSI 125 / BS 10 TAB D & E  
IS 6392 NP 0.6 / 1.0 / 1.6



NOTE:-  
1. ALL DIMENSIONS ARE IN MM.

DOUBLE ECCENTRIC DISC DESIGN

- CONFORMITY TO CODES & STANDARDS
- 1) GENERAL DESIGN & MANUFACTURE :- API 609
  - 2) VALVE FACE TO FACE DIMENSION :- BS 5155 / API 609 CATEGORY B
  - 3) TOP FLANGE DRILLING :- ISO 5211
  - 4) VALVE INSPECTION & TESTING :- BS 6755 PART - I / API 598 / EN 12266-1
  - 5) FLANGE STANDARD CONFORMITY :- ANSI 150 / IS6392 NP 1.0 / 1.6

SIZE		A	B	C	D	E	F
MM	INCH						
40	1 1/2"	42	40	51	85	85	100
50	2"	45	51	58	98	90	180
65	2 1/2"	48	61	63	115	102	180
80	3"	48	72	70	131	120	215
100	4"	54	100	86	159	134	215
125	5"	57	123	105	188	154	265
150	6"	57	143	120	219	170	265
200	8"	63	192	145	272	200	325

MATERIAL OF CONSTRUCTION		
SR.NO	PART NAME	MATERIAL
1	BODY	WCB/CF8/CF8M
2	DISC	CF8/CF8M
3	RETAINER	WCB/CFB/CF8M
4	SEAT RING	PTFE/GFT/VITON
5	SHAFT	AISI 410/304/316
6	SHAFT BEARING BUSH	AISI 410/304/316
7	GLAND	WCB/CFB
8	GLAND PACKING	PTFE
9	BOTTOM COVER	WCB/CF8
10	L N. BOLT	S.S. 202/ S.S. 304
11	LEVER	M.S

TESTING				
PRESSURE RATING	HYDROSTATIC SHELL TEST		HYDROSTATIC SEAT TEST	
	kg/CM2	PSI	kg/CM2	PSI
PN10	15	210	10	140

CLIENT :-

TITLE :ECCENTRIC WAFER TYPE BUTTERFLY VALVE\_WSDV/40-200

DATE : 26/10/18

DRAWN BY : S.S.BAGUL

CHECKED :

APPROVED BY :

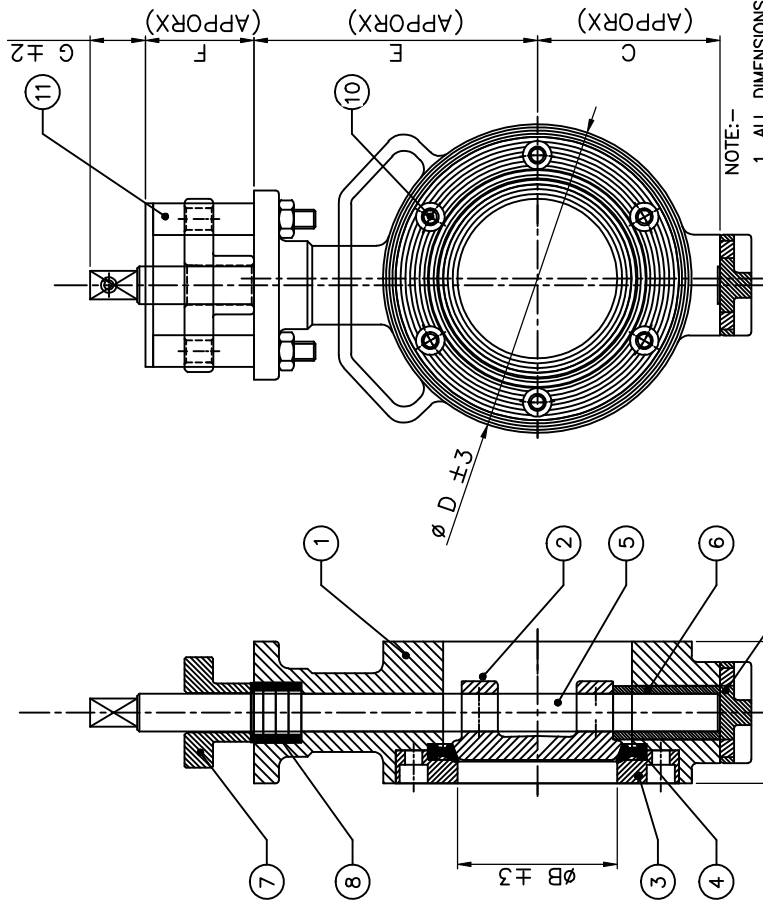
PLOT SCALE : NTS

DRG.NO. : KA/WSDV/40 - 200

SHEET A3

**KARMA AUTOMATION INDUSTRIES**

KARMA AUTOMATION INDUSTRIES.  
MIDC, AMBERNATH-421506



SIZE	DIMENSIONS (MM)											SQUARE	BRACKET	PCD
	MM	INCH	A	B	C	D	E	F	G	F	G			
40	1 1/2"	42	40	51	85	85	35	18	9x9	50	50			
50	2"	45	51	58	98	90	35	18	9x9	50	50			
65	2 1/2"	48	61	63	115	102	40	18	11x11	50	50			
80	3"	48	72	70	131	120	40	18	11x11	50	50			
100	4"	54	100	86	159	134	40	18	11x11	50	50			
125	5"	57	123	105	188	154	40	18	14x14	70	70			
150	6"	57	143	120	219	170	40	18	14x14	70	70			
200	8"	63	192	145	272	200	40	22	17x17	70	70			
250	10"	72	240	175	325	230	63	30	24x27	102	102			
300	12"	83	290	215	385	270	63	35	27x27	102	102			

NOTE:-  
1. ALL DIMENSIONS ARE IN MM.

DOUBLE ECCENTRIC DISC DESIGN

- CONFORMITY TO CODES & STANDARDS
- 1) GENERAL DESIGN & MANUFACTURE :- API 609
  - 2) VALVE FACE TO FACE DIMENSION :- BS 5155 / API 609 CATEGORY B
  - 3) TOP FLANGE DRILLING :- ISO 5211
  - 4) VALVE INSPECTION & TESTING :- BS 6755 PART - I / API 598 / EN 12266-1
  - 5) FLANGE STANDARD CONFORMITY :- ANSI 150 / IS6392 NP 1.0 / 1.6

MATERIAL OF CONSTRUCTION		
SR.NO	PART NAME	MATERIAL
1	BODY	WCB/CF8/CF8M
2	DISC	CF8/CF8M
3	RETAINER	WCB/CFB/CF8M
4	SEAT RING	PTFE/GFT/VITON
5	SHAFT	ANSI 410/304/316
6	SHAFT BEARING BUSH	ANSI 410/304/316
7	GLAND	WCB/CFB
8	GLAND PACKING	PTFE
9	BOTTOM COVER	WCB/CF8
10	L. N. BOLT	S.S. 202/ S.S. 304
11	BRACKET	WCB / CFB

TESTING	HYDROSTATIC SHELL TEST		HYDROSTATIC SEAT TEST	
	PSI	kg/CM2	PSI	kg/CM2
PN10	15	210	10	140

CLIENT :-

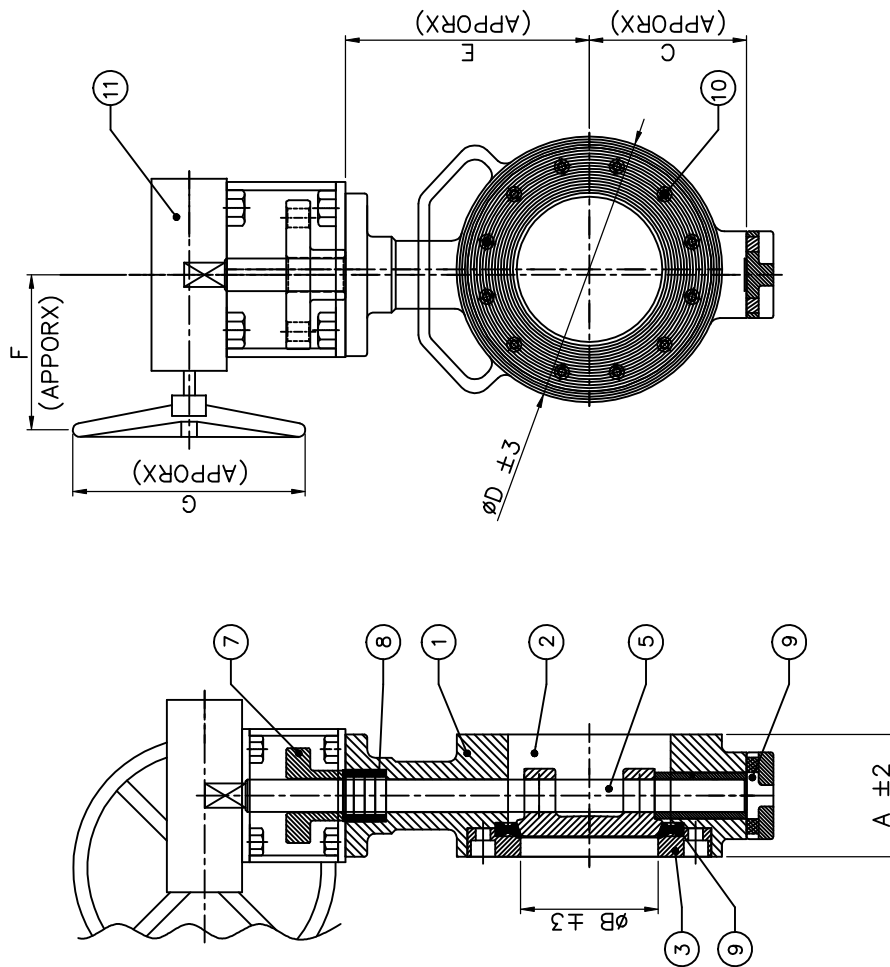
TITLE : ECCENTRIC WAFER TYPE BUTTERFLY VALVE\_WSDV/40-300

DATE	26/10/18
DRAWN BY	S.S.BAGUL
CHECKED	
APPROVED BY	
PLOT SCALE	NTS



KARMA AUTOMATION INDUSTRIES.  
MIDC, AMBERNATH-421506

DRG.NO. KA/WSDV/40 - 300 SHEET A3



MATERIAL OF CONSTRUCTION		
SR.NO	PART NAME	MATERIAL
1	BODY	WCB/CF8/CF8M
2	DISC	CF8/CF8M
3	RETAINER	WCB/CFB/CF8M
4	SEAT RING	PTFE/GFT/VITON
5	SHAFT	AISI 410/304/316
6	SHAFT BEARING BUSH	AISI 410/304/316
7	GLAND	WCB/CFB
8	GLAND PACKING	PTFE
9	BOTTOM COVER	WCB/CFB
10	L N. BOLT	S.S. 202/ S.S. 304
11	BRACKET	WCB / CFB

TESTING		
PRESSURE RATING	HYDROSTATIC SHELL TEST	
	kg/CM2	PSI
PN10	15	210
		10
		140

CLIENT : ---  
 TITLE : ECCENTRIC WAFER TYPE BUTTERFLY VALVE WSDV/150-500  
 DATE : 26/10/18  
 DRAWN BY : S.S.BAGUL  
 CHECKED :  
 APPROVED BY :  
 PLOT SCALE : NTS  
 DRG.NO. : KA/WSDV/150 - 500  
 SHEET A3



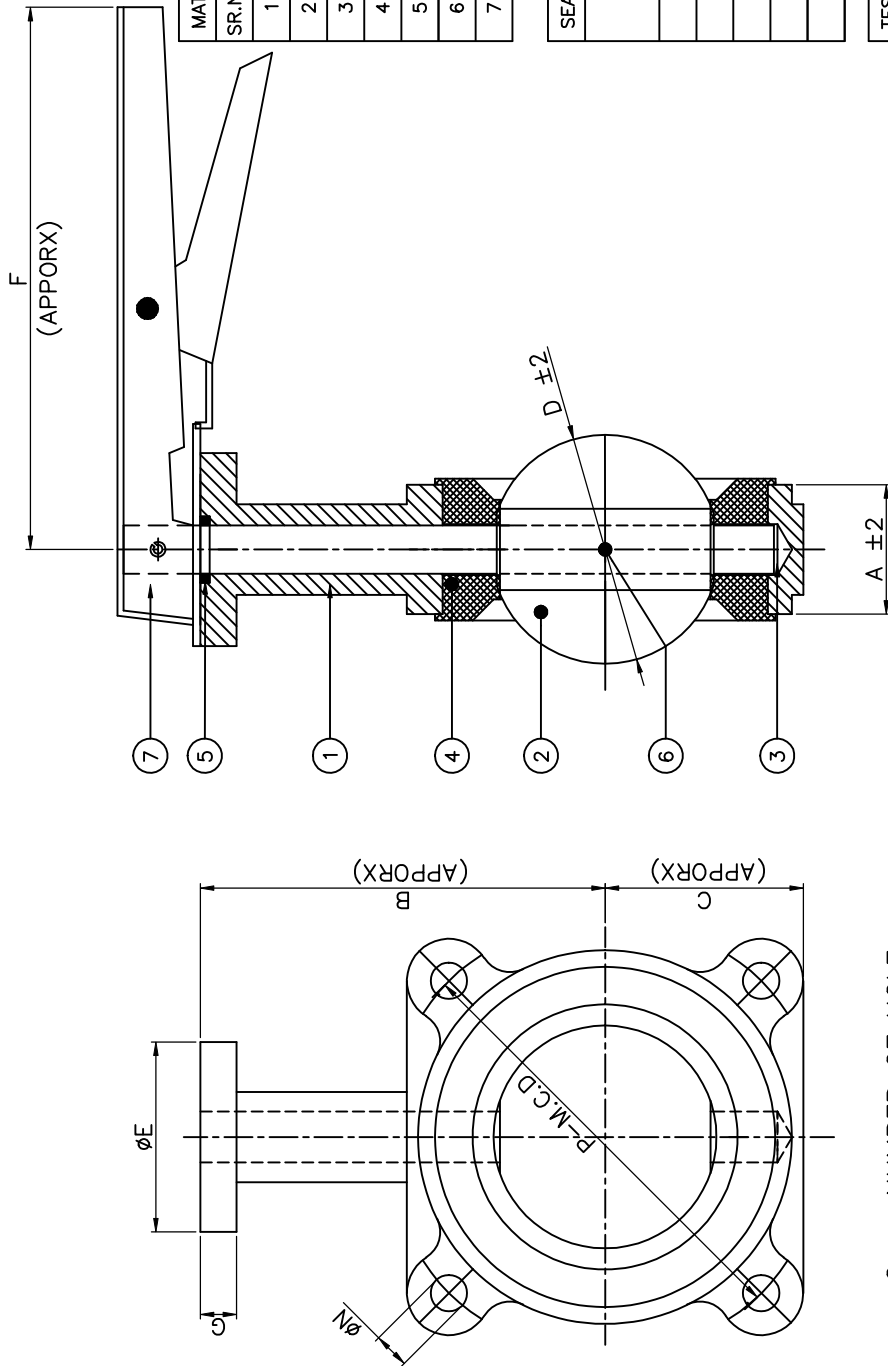
KARMA AUTOMATION INDUSTRIES.  
 MIDC, AMBERNATH-421506

DOUBLE ECCENTRIC DISC DESIGN

VALVE SIZE	MM	INCH	A	øB	C	øD	E	F	G	FLANGE MOUNTING (I.S.O 5211)
			150	6"	57	143	120	219	170	240
200	8"	63	192	145	272	200	285	250	F07	
250	10"	72	240	175	325	230	285	250	F10	
300	12"	83	290	215	385	270	300	350	F10	
350	14"	92	335	240	435	320	300	350	F12	
400	16"	102	360	280	495	365	305	450	F12	
450	18"	114	400	305	538	375	305	450	F14	
500	20"	127	465	340	590	410	370	450	F16	

DOUBLE ECCENTRIC DISC DESIGN

CONFORMITY TO CODES & STANDARDS  
 1) DESIGN & MANUFACTURE :- API 609  
 2) VALVE FACE TO FACE DIMENSION :- BS 5155 / API 609 CATEGORY B  
 3) TOP FLANGE DRILLING :- ISO 5211  
 4) VALVE INSPECTION & TESTING :- BS 6755 PART - I / API 598 / EN 12266-1  
 5) FLANGE STANDARD CONFORMITY :- ANSI 150 / IS6392 NP 1.0 / 1.6



MATERIAL OF CONSTRUCTION		
SR.NO	PART NAME	MATERIAL
1	BODY	CAST IRON/ CAST STEEL/ S.S. 304-316
2	DISC	CAST IRON/ CAST STEEL/ S.S. 304-316
3	SPINDLE	SS 410/304/316
4	BODY LINING	NITRILE/E.P.D.M/SILICON/VITON/HYPALON
5	'O' RING	NITRILE / E.P.D.M.
6	PIN	S.S.304 / 316
7	LEVER	M.S. FABRICATED

SEAT TEMPERATURE RANGE		
SEAT TYPE.	TEMPERATURE RANGE	
	MIN.	Max.
NITRILE	-13°F(-25°C)	212°F(100°C)
EPDM	-13°F(-25°C)	250°F(120°C)
SILICON	-58°F(-50°C)	356°F(180°C)
VITON	-23°F(-5°C)	392°F(200°C)
HYPALON	-4°F(-20°C)	250°F(120°C)

TESTING			
PRESSURE RATING	HYDROSTATIC SHELL TEST		HYDROSTATIC SEAT TEST
	kg/CM2	PSI	kg/CM2
PN16	22	310	16
PN10	15	210	10
			225
			140

CLIENT =

TITLE : LUG TYPE BUTTERFLY VALVE LUG-BFV/40-80

DATE	26/10/18
DRAWN BY	S.S.BAGUL
CHECKED	
APPROVED BY	
PLOT SCALE	NTS
DRG.NO.	KA/LUG-BFV/40-80
	SHEET A3



KARMA AUTOMATION INDUSTRIES.  
MIDC, AMBERNATH-421506

1. ALL DIMENSIONS ARE IN MM.

SIZE	A		B	C	D	E	F	G	TOP FLANGE MOUNTING (I.S.O 5211)
	FACE TO FACE	FACE TO FACE							
40 1 1/2"	42	150#	112	52	85	65	180	15	F05
50 2"	45	300#	118	65	98	65	180	15	F05
65 2 1/2"	48		125	68	115	65	180	15	F05
80 3"	48		134	76	131	65	215	15	F05

O :- NUMBER OF HOLE

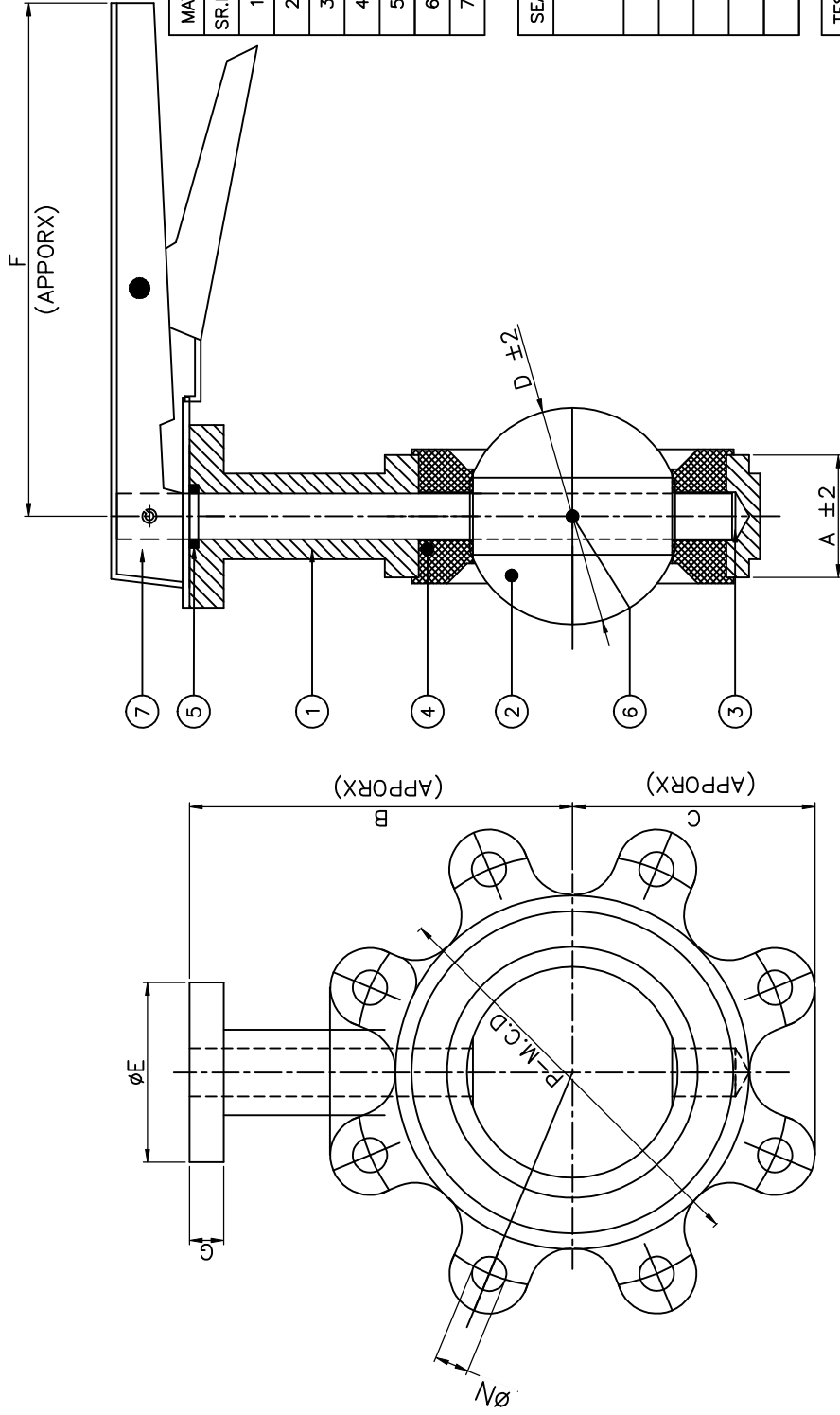
NOTE:- M.N.O AS PER REQUIREMENT

M = \_\_\_\_\_  
N = \_\_\_\_\_  
O = \_\_\_\_\_

CONFORMITY TO CODES & STANDARDS

- 1) GENERAL DESIGN & MANUFACTURE :- API 609
- 2) VALVE FACE TO FACE DIMENSION :- API 609
- 3) TOP FLANGE DRILLING :- ISO 5211
- 4) VALVE INSPECTION & TESTING :- API 598
- 5) FLANGE STANDARD CONFORMITY :- ANSI 150 / IS6392 NP





O : - NUMBER OF HOLE

NOTE:- M.N.O AS PER REQUIREMENT

M = \_\_\_\_\_  
 N = \_\_\_\_\_  
 O = \_\_\_\_\_

CONFORMITY TO CODES & STANDARDS

- 1) GENERAL DESIGN & MANUFACTURE :- API 609
- 2) VALVE FACE TO FACE DIMENSION :- API 609
- 3) TOP FLANGE DRILLING :- ISO 5211
- 4) VALVE INSPECTION & TESTING :- API 598
- 5) FLANGE STANDARD CONFORMITY :- ANSI 150 / IS6392 / NP 1.0 / 1.6

1. ALL DIMENSIONS ARE IN MM.

SIZE	A		A		B	C	D	E	F	G	TOP FLANGE MOUNTING (I.S.O 5211)
	FACE TO FACE 150#	FACE TO FACE 300#	FACE TO FACE 150#	FACE TO FACE 300#							
100 4"	52	54	54	54	156	106	100	65	215	15	F05
125 5"	56	57	59	59	187	125	125	65	265	15	F05
150 6"	56	57	59	59	200	134	150	65	265	15	F05
200 8"	60	64	73	73	230	165	199	65	325	15	F07

MATERIAL OF CONSTRUCTION		
SR.NO	PART NAME	MATERIAL
1	BODY	CAST IRON/ CAST STEEL/ S.S. 304-316
2	DISC	CAST IRON/ CAST STEEL/ S.S. 304-316
3	SPINDLE	SS 410/304/316
4	BODY LINING	NITRILE/E.P.D.M/SILICON/VITON/HYPALON
5	'O' RING	NITRILE / E.P.D.M.
6	PIN	S.S.304 / 316
7	LEVER	M.S. FABRICATED

SEAT TEMPERATURE RANGE		
SEAT TYPE.	TEMPERATURE RANGE	
	MIN.	Max.
NITRILE	-13°F (-25°C)	212°F (100°C)
EPDM	-13°F (-25°C)	250°F (120°C)
SILICON	-58°F (-50°C)	356°F (180°C)
VITON	-23°F (-5°C)	392°F (200°C)
HYPALON	-4°F (-20°C)	250°F (120°C)

TESTING	HYDROSTATIC SHELL TEST		HYDROSTATIC SEAT TEST	
	kg/CM2	PSI	kg/CM2	PSI
PN16	22	310	16	225
PN10	15	210	10	140

CLIENT :-

TITLE : LUG TYPE BUTTERFLY VALVE LUG-BFV/100-200

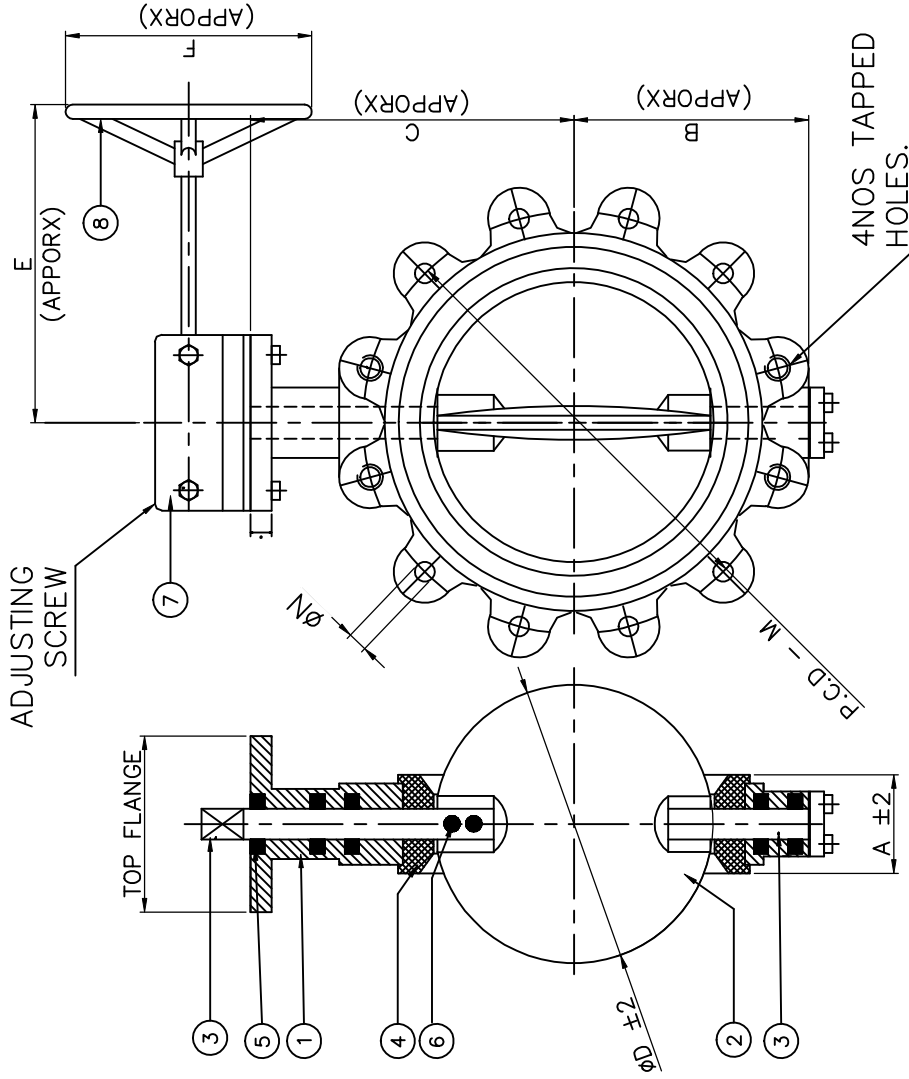
DATE	26/10/18
DRAWN BY	S.S.BAGUL
CHECKED	
APPROVED BY	
PLOT SCALE	NTS



KARMA AUTOMATION INDUSTRIES.  
 MIDC, AMBERNATH-421506

DRG.NO. KA/LUG-BFV/100-200

SHEET A3



O :- NUMBER OF HOLE

NOTE:- M.N.O AS PER REQUIREMENT  
 M = \_\_\_\_\_  
 N = \_\_\_\_\_  
 O = \_\_\_\_\_

CONFORMITY TO CODES & STANDARDS

- 1) GENERAL DESIGN & MANUFACTURE :- API 609
- 2) VALVE FACE TO FACE DIMENSION :- API 609
- 3) TOP FLANGE DRILLING :- ISO 5211
- 4) VALVE INSPECTION & TESTING :- API 598
- 5) FLANGE STANDARD CONFORMITY :- ANSI 150 / IS6392  
 NP 1.0 / 1.6

1. ALL DIMENSIONS ARE IN MM.

SIZE	A		A		A		B	C	D	E	F	G	TOP FLANGE MOUNTING (I.S.O 5211)
	FACE TO FACE	FACE TO FACE	FACE TO FACE	FACE TO FACE									
200	80	60	64	73	230	165	200	285	300	15	F10		
250	100	68	71	83	266	224	249	285	350	18	F10		
300	120	78	81	92	300	262	297	285	350	18	F10		

MATERIAL OF CONSTRUCTION		
SR.NO	PART NAME	MATERIAL
1	BODY	CAST IRON/ CAST STEEL/ S.S. 304-316
2	DISC	CAST IRON/ CAST STEEL/ S.S. 304-316
3	SPINDLE	SS 410/304/316
4	BODY LINING	NITRILE/E.P.D.M/SILICON/VITON/HYPALON
5	'O' RING	NITRILE / E.P.D.M.
6	PIN	S.S.304 / 316
7	GEAR BOX	CAST IRON
8	HAND WHEEL	M.S. FABRICATED

SEAT TEMPERATURE RANGE		
SEAT TYPE.	TEMPERATURE RANGE	
	MIN.	Max.
NITRILE	-13°F(-25°C)	212°F(100°C)
EPDM	-13°F(-25°C)	250°F(120°C)
SILICON	-58°F(-50°C)	356°F(180°C)
VITON	-23°F(-5°C)	392°F(200°C)
HYPALON	-4°F(-20°C)	250°F(120°C)

TESTING			
PRESSURE RATING	HYDROSTATIC SHELL TEST		HYDROSTATIC SEAT TEST
	kg/CM2	PSI	kg/CM2
PN16	22	310	16
PN10	15	210	10
			225
			140

CLIENT ==

TITLE :LUG TYPE BUTTERFLY VALVE LUG-BFV-G/200-300

DATE 26/10/18

DRAWN BY S.S.BAGUL

CHECKED

APPROVED BY

PLOT SCALE NTS

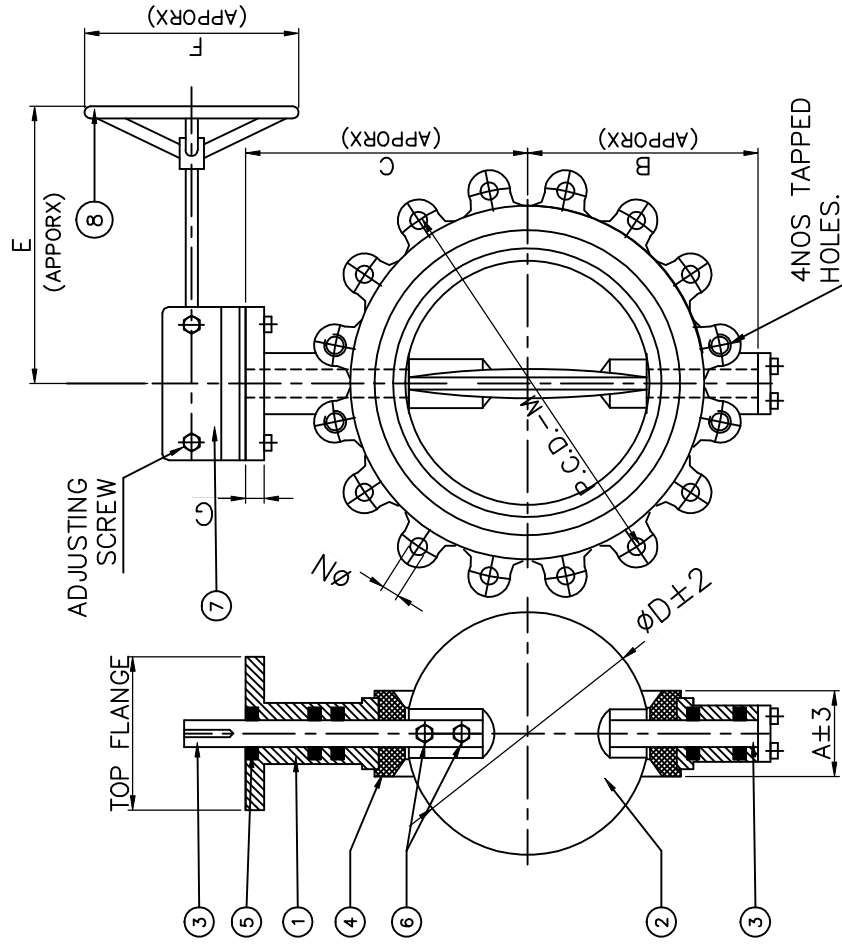
DRG.NO. KA/LUG-BFV-G/200-300

SHEET A3

**KARMA AUTOMATION INDUSTRIES**

KARMA AUTOMATION INDUSTRIES.  
MIDC, AMBERNATH-421506





NOTE:- M.N.O AS PER REQUIREMENT

M = \_\_\_\_\_  
 N = \_\_\_\_\_  
 O = \_\_\_\_\_

O : - NUMBER OF HOLE

CONFORMITY TO CODES & STANDARDS

- 1) GENERAL DESIGN & MANUFACTURE :- API 609
- 2) VALVE FACE TO FACE DIMENSION :- API 609
- 3) TOP FLANGE DRILLING :- ISO 5211
- 4) VALVE INSPECTION & TESTING :- API 598
- 5) FLANGE STANDARD CONFORMITY :- ANSI 150 / IS6392  
 NP 1.0 / 1.6

1. ALL DIMENSIONS ARE IN MM.

SIZE	CATEGORY-A		B	C	D	E	F	G	TOP FLANGE MOUNTING (I.S.O 5211)
	MM	INCH							
350	14"	92	320	272	348	300	350	22	F12
400	16"	102	385	302	394	305	500	22	F14
450	18"	114	405	325	433	305	500	24	F14

MATERIAL OF CONSTRUCTION		
SR.NO	PART NAME	MATERIAL
1	BODY	CAST IRON/ CAST STEEL/ S.S. 304-316
2	DISC	CAST IRON/ CAST STEEL/ S.S. 304-316
3	SPINDLE	SS 410/304/316
4	BODY LINING	NITRILE/E.P.D.M/SILICON/VITON/HYPALON
5	'O' RING	NITRILE / E.P.D.M.
6	HEX BOLT	S.S.304 / 316
7	GEAR BOX	CAST IRON
8	HAND WHEEL	M.S. FABRICATED

SEAT TEMPERATURE RANGE		
SEAT TYPE.	TEMPERATURE RANGE	
	MIN.	Max.
NITRILE	-13°F(-25°C)	212°F(100°C)
EPDM	-13°F(-25°C)	250°F(120°C)
SILICON	-58°F(-50°C)	356°F(180°C)
VITON	-23°F(-5°C)	392°F(200°C)
HYPALON	-4°F(-20°C)	250°F(120°C)

TESTING			
PRESSURE RATING	HYDROSTATIC SHELL TEST		HYDROSTATIC SEAT TEST
	kg/CM2	PSI	kg/CM2
PN06	10	140	06
PN10	15	210	10
			140

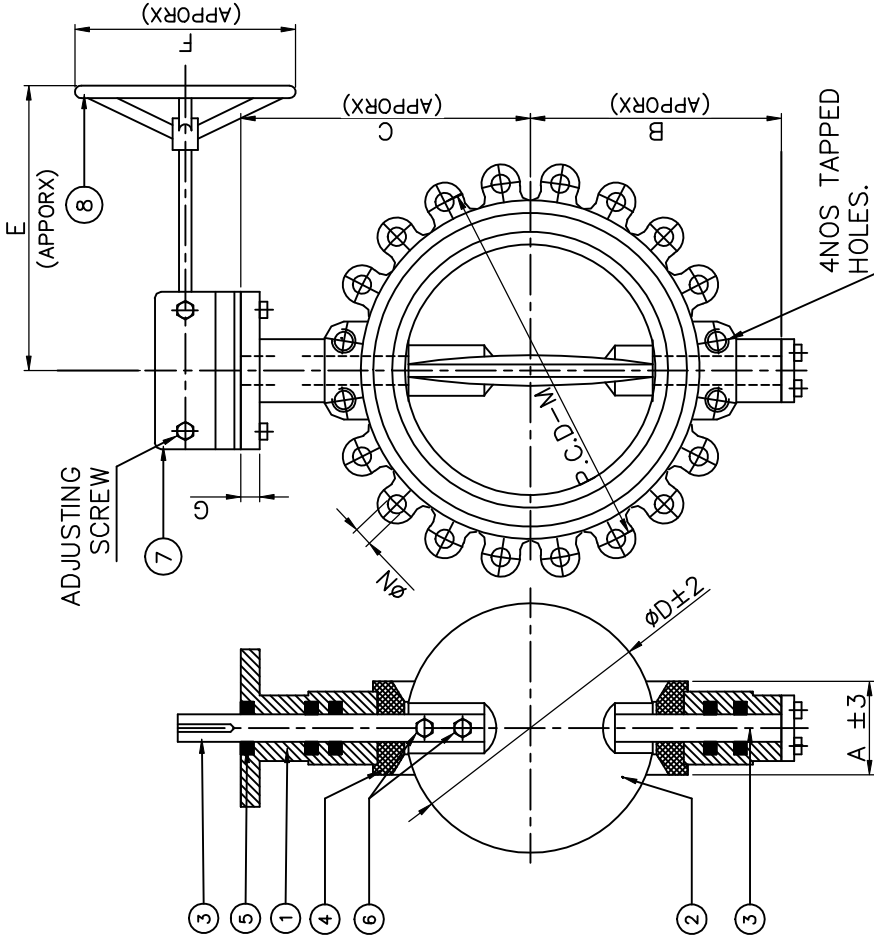
CLIENT \_\_\_\_\_

TITLE : LUG TYPE BUTTERFLY VALVE LUG-BFV-G/350-450

DATE	26/10/18
DRAWN BY	S.S.BAGUL
CHECKED	
APPROVED BY	
PLOT SCALE	NTS
DRG.NO.	KA/LUG-BFV-G/350-450



KARMA AUTOMATION INDUSTRIES  
 MIDC, AMBERNATH-421506



NOTE:- M.N.O AS PER REQUIREMENT  
 M = \_\_\_\_\_  
 N = \_\_\_\_\_  
 O = \_\_\_\_\_

O : - NUMBER OF HOLE

CONFORMITY TO CODES & STANDARDS

- 1) GENERAL DESIGN & MANUFACTURE :- API 609
- 2) VALVE FACE TO FACE DIMENSION :- API 609
- 3) TOP FLANGE DRILLING :- ISO 5211
- 4) VALVE INSPECTION & TESTING :- API 598
- 5) FLANGE STANDARD CONFORMITY :- ANSI 150 / IS6392  
NP 1.0 / 1.6

1. ALL DIMENSIONS ARE IN MM.

SIZE	A	B	C	D	E	F	G	TOP FLANGE MOUNTING (I.S.O 5211)
MM INCH	FACE TO FACE	FACE TO FACE						
500 20"	127	465	405	470	370	500	26	F16
600 24"	154	540	460	570	350	600	26	F16

MATERIAL OF CONSTRUCTION		
SR.NO	PART NAME	MATERIAL
1	BODY	CAST IRON/ CAST STEEL/ S.S. 304-316
2	DISC	CAST IRON/ CAST STEEL/ S.S. 304-316
3	SPINDLE	SS 410/304/316
4	BODY LINING	NITRILE/E.P.D.M/SILICON/VITON/HYPALON
5	'O' RING	NITRILE / E.P.D.M.
6	PIN	S.S.304 / 316
7	GEAR BOX	CAST IRON
8	HAND WHEEL	M.S. FABRICATED

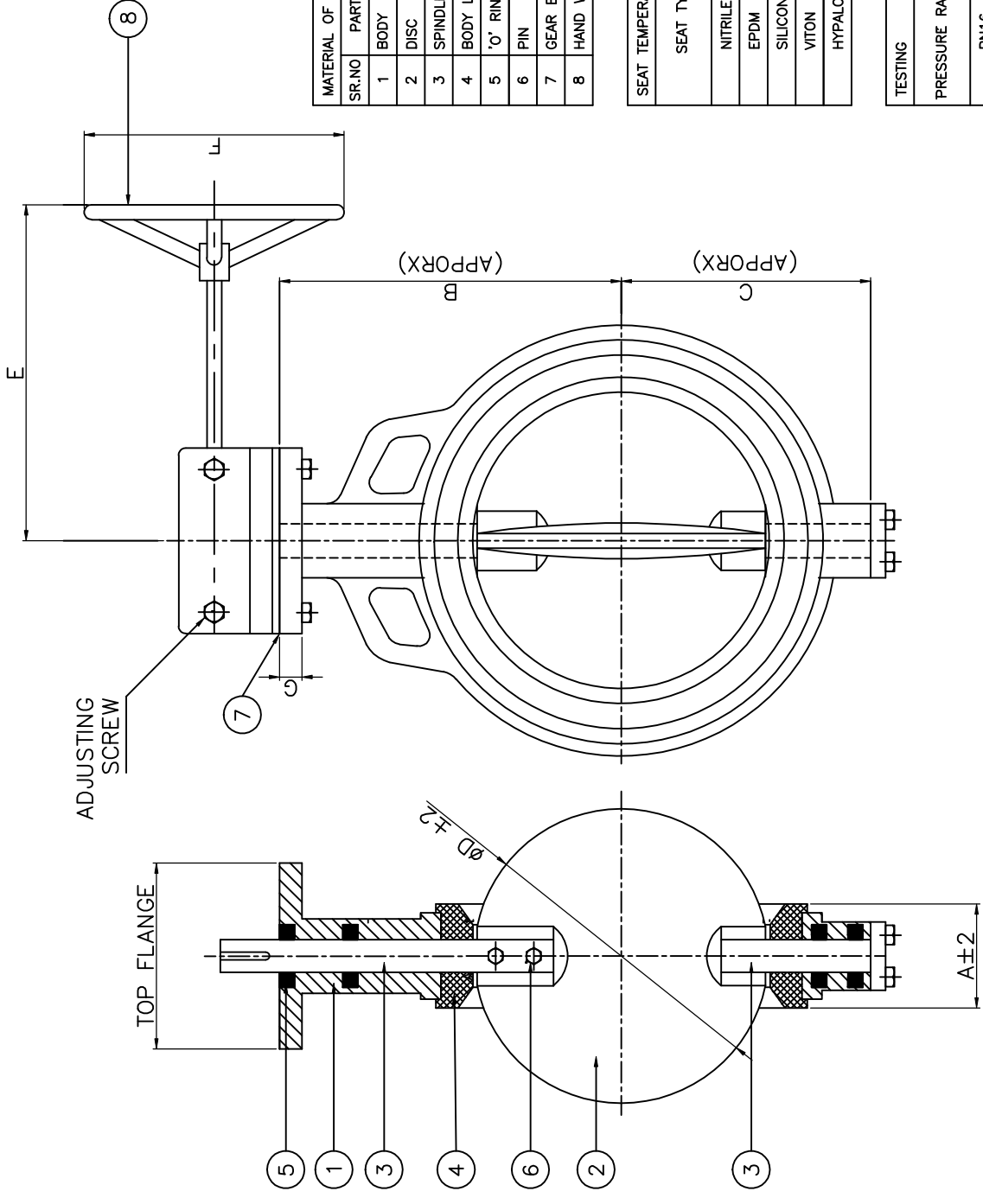
SEAT TEMPERATURE RANGE		
SEAT TYPE.	TEMPERATURE RANGE	
	MIN.	Max.
NITRILE	-13°F(-25°C)	212°F(100°C)
EPDM	-13°F(-25°C)	250°F(120°C)
SILICON	-58°F(-50°C)	356°F(180°C)
VITON	-23°F(-5°C)	392°F(200°C)
HYPALON	-4°F(-20°C)	250°F(120°C)

TESTING			
PRESSURE RATING	HYDROSTATIC SHELL TEST		HYDROSTATIC SEAT TEST
	kg/CM2	PSI	kg/CM2
PN06	10	140	06
PN10	15	210	10
			140
			140

CLIENT : \_\_\_\_\_

TITLE : LUG TYPE BUTTERFLY VALVE LUG-BFV-G/500-600

DATE	26/10/18	<p>KARMA AUTOMATION INDUSTRIES          KARMA AUTOMATION INDUSTRIES.          MIDC, AMBERNATH-421506</p>
DRAWN BY	S.S.BAGUL	
CHECKED		
APPROVED BY		
PLOT SCALE	NTS	
DRG.NO.	KA/LUG-BFV-G/500-600	SHEET A3



MATERIAL OF CONSTRUCTION	
SR.NO	PART NAME
1	BODY
2	DISC
3	SPINDLE
4	BODY LINING
5	'O' RING
6	PIN
7	GEAR BOX
8	HAND WHEEL

SEAT TEMPERATURE RANGE		
SEAT TYPE.	TEMPERATURE RANGE	
	MIN.	Max.
NITRILE	-13°F(-25°C)	212°F(100°C)
EPDM	-13°F(-25°C)	250°F(120°C)
SILICON	-58°F(-50°C)	356°F(180°C)
VITON	-23°F(-5°C)	392°F(200°C)
HYPALON	-4°F(-20°C)	250°F(120°C)

TESTING			
PRESSURE RATING	HYDROSTATIC SHELL TEST		HYDROSTATIC SEAT TEST
	kg/CM2	PSI	kg/CM2
PN16	22	310	16
PN10	15	210	10
			225
			140

CLIENT	---
TITLE	WAFER TYPE BUTTER FLY VALVE.
DATE	26/10/18
DRAWN BY	S.S.BAGUL
CHECKED	
APPROVED BY	
PLOT SCALE	NTS
DRG.NO.	KAY/WBFV-G/200-450
	SHEET A3

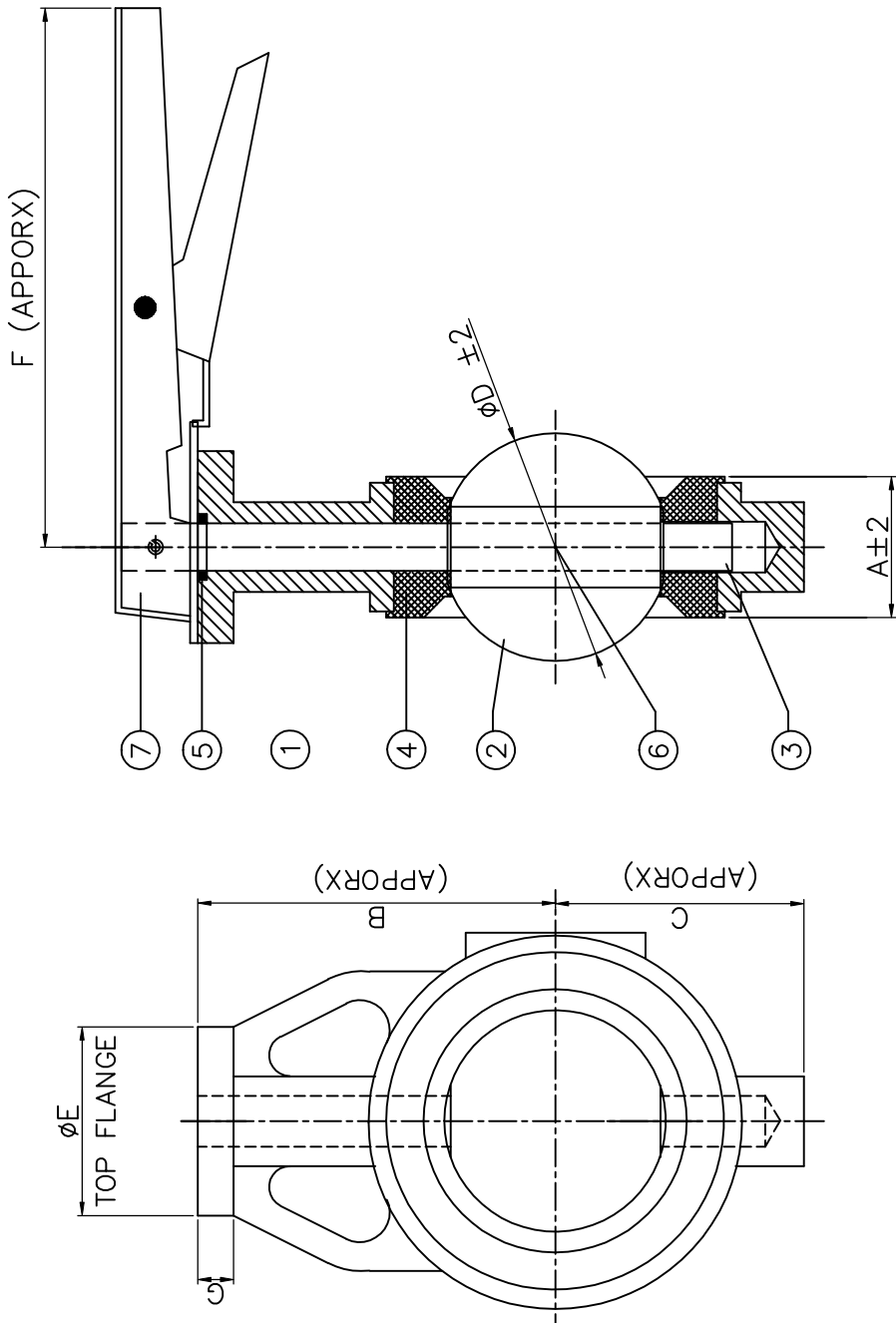
SIZE	TOP FLANGE MOUNTING (I.S.O 5211)													
	MM	INCH	A	B	C	D	E	F	G	F10	F10	F10	F12	F14
200	8"	60	230	156	200	285	300	15						
250	10"	68	266	196	250	285	350	18						
300	12"	78	300	230	298	285	350	18						
350	14"	92	320	272	348	300	350	22						
400	16"	102	385	302	394	305	500	22						
450	18"	114	405	325	433	305	500	24						

NOTE:-  
1. ALL DIMENSIONS ARE IN MM.

- CONFORMITY TO CODES & STANDARDS
- GENERAL DESIGN & MANUFACTURE :- BS 5155 / API 609 / EN 593 / IS 13095
  - VALVE FACE TO FACE DIMENSION :- BS 5155 / ISO5752 / API 609
  - TOP FLANGE DRILLING :- ISO 5211
  - VALVE INSPECTION & TESTING :- BS 6755 PART - 1 / API 598 / EN 12266-1
  - FLANGE STANDARD CONFORMITY :- ANSI 150 / ANSI 125 / BS 10 TAB D & E  
IS 6392 NP 0.6 / 1.0 / 1.6



KARMA AUTOMATION INDUSTRIES.  
MIDC, AMBERNATH-421506



NOTE:-  
1. ALL DIMENSIONS ARE IN MM.

SIZE	TOP FLANGE MOUNTING (I.S.O 5211)													
	MM	INCH	A	B	C	D	E	F	G	H	I	J	K	L
40	1 1/2"	36	92	52	40	65	180	15	F05					
50	2"	43	103	70	50	65	180	15	F05					
65	2 1/2"	46	110	76	63	65	180	15	F05					
80	3"	46	118	85	76	65	215	15	F05					
100	4"	52	148	102	100	65	215	15	F05					
125	5"	56	164	115	125	65	215	15	F05					
150	6"	56	176	130	150	65	265	15	F05					
200	8"	60	230	156	200	75	325	15	F07					

- CONFORMITY TO CODES & STANDARDS
- 1) GENERAL DESIGN & MANUFACTURE :- BS 5155 / API 609 / EN 593 / IS 13095
  - 2) VALVE FACE TO FACE DIMENSION :- BS 5155 / ISO5752 / API 609
  - 3) TOP FLANGE DRILLING :- ISO 5211
  - 4) VALVE INSPECTION & TESTING :- BS 6755 PART - I / API 598 / EN 12266-1
  - 5) FLANGE STANDARD CONFORMITY :- ANSI 150 / ANSI 125 / BS 10 TAB D & E
- IS 6392 NP 0.6 / 1.0 / 1.6

MATERIAL OF CONSTRUCTION	
SR.NO	PART NAME
1	BODY
2	DISC
3	SPINDLE
4	BODY LINING
5	'O' RING
6	PIN
7	LIVER

MATERIAL	
1	CAST IRON/CAST STEEL/S.S.304-316
2	CAST IRON/CAST STEEL/S.S.304-316
3	SS 410/304/316
4	NITRILE /E.P.D.M./SILICON/VITON/HYPALON.
5	NITRILE /E.P.D.M.
6	S.S.304/316
7	M.S. FABRICATED.

SEAT TEMPERATURE RANGE	
SEAT TYPE.	TEMPERATURE RANGE
	MIN. Max.
NITRILE	-13°F(-25°C) 212°F(100°C)
EPDM	-13°F(-25°C) 250°F(120°C)
SILICON	-58°F(-50°C) 356°F(180°C)
VITON	-23°F(-5°C) 392°F(200°C)
HYPALON	-4°F(-20°C) 250°F(120°C)

TESTING	HYDROSTATIC SHELL TEST		HYDROSTATIC SEAT TEST	
	kg/CM2	PSI	kg/CM2	PSI
PN16	22	310	16	225
PN10	15	210	10	140

CLIENT :-

TITLE : WAFER TYPE BUTTERFLY VALVE WBVF/40-200

DATE : 26/10/18


DRAWN BY : S.S.BAGUL

CHECKED : \_\_\_\_\_

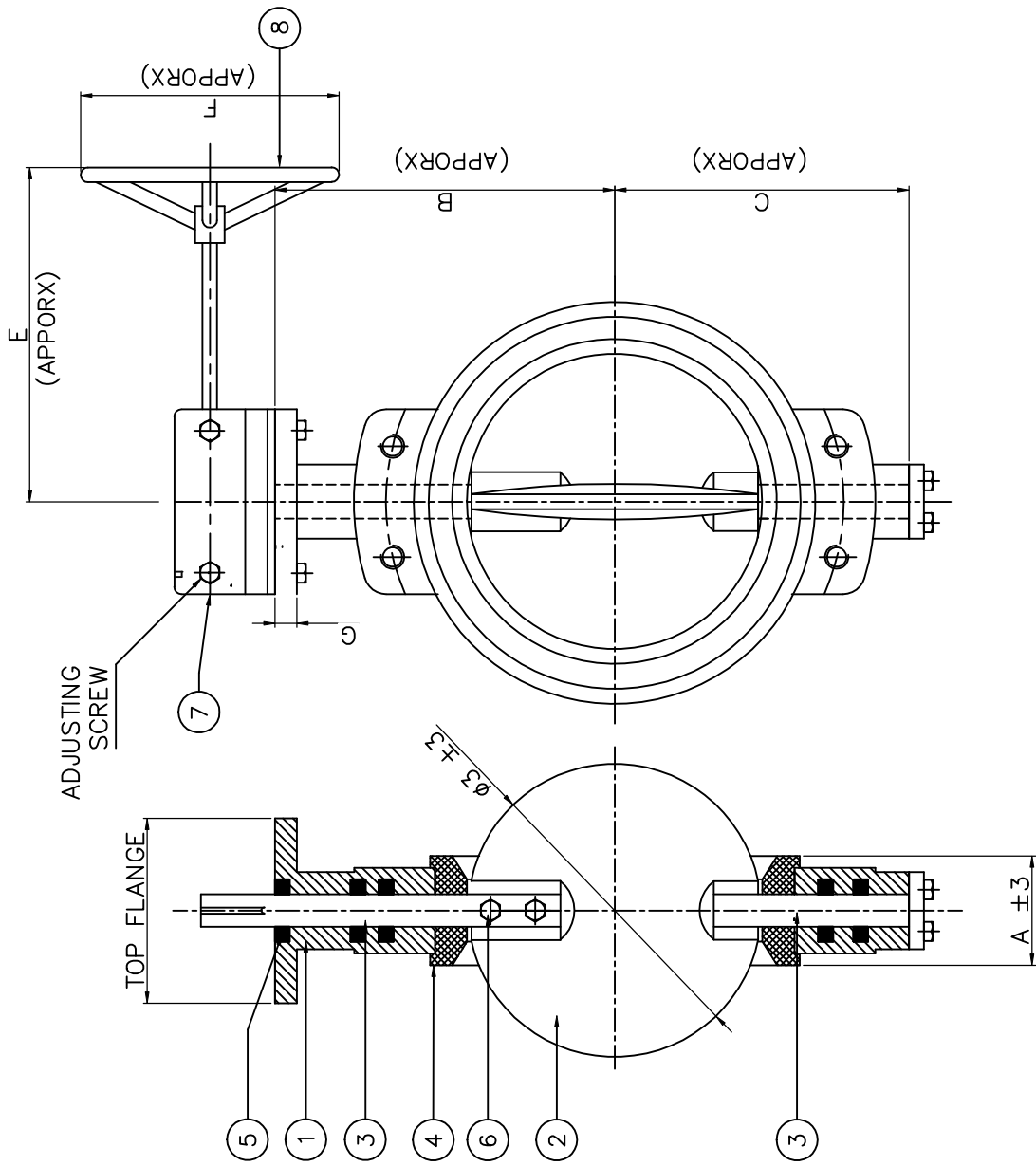
APPROVED BY : \_\_\_\_\_

PLOT SCALE : NTS

DRG.NO. : KA/WBVF/40-200

  
 KARMA AUTOMATION INDUSTRIES.  
 MIDC, AMBERNATH-421506

SHEET A3



MATERIAL OF CONSTRUCTION	
SR.NO	PART NAME
1	BODY
2	DISC
3	SPINDLE
4	BODY LINING
5	'O' RING
6	PIN
7	GEAR BOX
8	HAND WHEEL

SEAT TYPE.	TEMPERATURE RANGE	
	MIN.	Max.
NITRILE	-13°F (-25°C)	212°F (100°C)
EPDM	-13°F (-25°C)	250°F (120°C)
SILICON	-58°F (-50°C)	356°F (180°C)
VITON	-23°F (-5°C)	392°F (200°C)
HYPALON	-4°F (-20°C)	250°F (120°C)

PRESSURE RATING	HYDROSTATIC SHELL TEST		HYDROSTATIC SEAT TEST	
	kg/CM2	PSI	kg/CM2	PSI
PN16	22	310	16	225
PN10	15	210	10	140

NOTE:-  
1. ALL DIMENSIONS ARE IN MM.

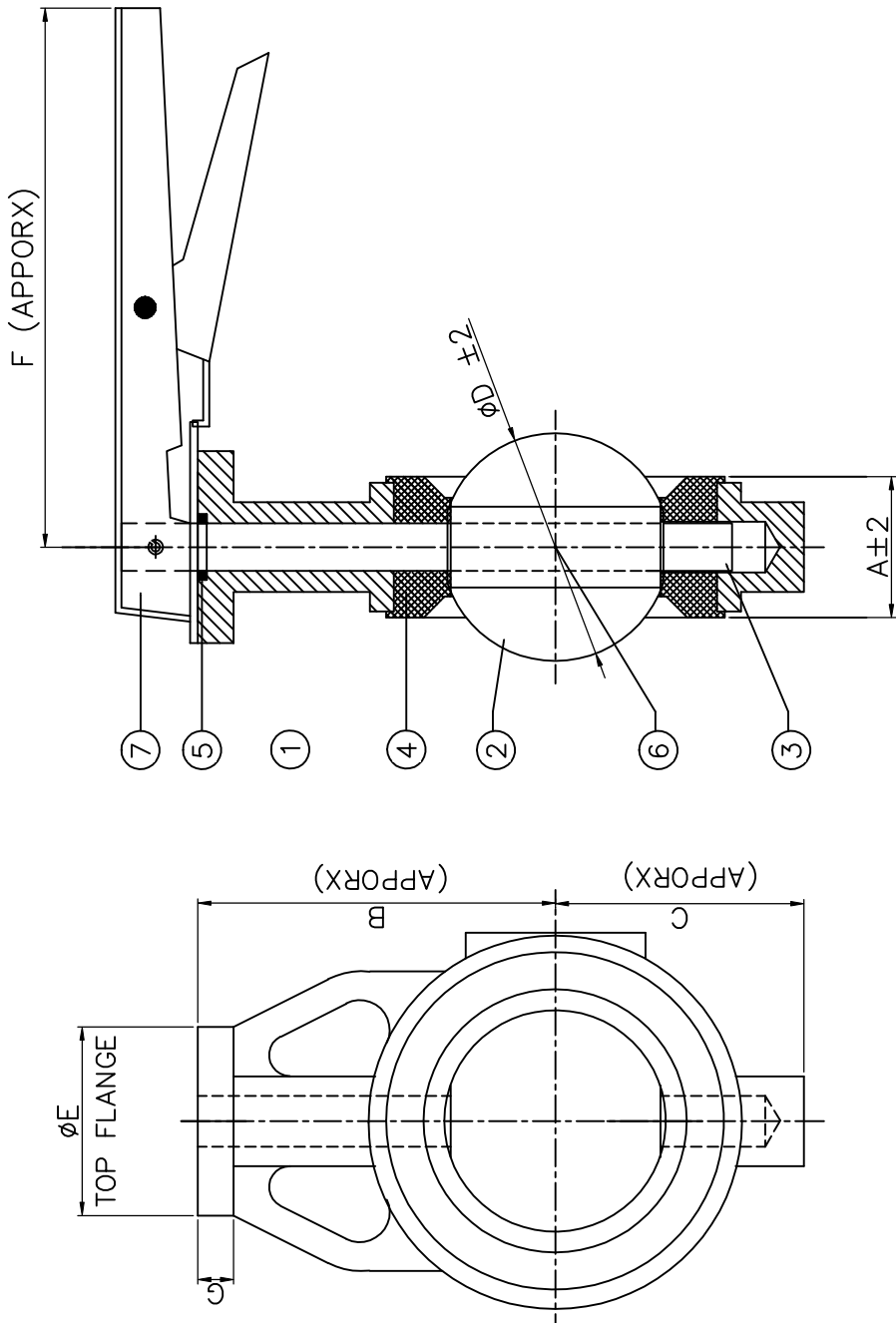
CLIENT		TITLE : WAFER TYPE BUTTERFLY VALVE WBFV-G/500-900	
DATE	26/10/18	DRAWN BY	S.S.BAGUL
CHECKED		APPROVED BY	
PLOT SCALE	NTS	DRG.NO.	KA/WBFV-G/500-900

SIZE	TOP FLANGE MOUNTING (I.S.O 5211)								
	MM	INCH	A	B	C	D	E	F	G
500	20"	127	465	405	470	370	500	26	F16
550	22"	127	490	415	525	370	500	26	F16
600	24"	154	540	460	570	350	600	26	F16
700	28"	229	565	515	660	380	600	28	F16
750	30"	229	590	540	740	380	600	28	F25
800	32"	241	588	650	760	396	600	28	F25
900	36"	241	720	660	890	396	600	28	F25

- CONFORMITY TO CODES & STANDARDS
- GENERAL DESIGN & MANUFACTURE :- BS 5155 / API 609 / EN 593 / IS 13095
  - VALVE FACE TO FACE DIMENSION :- BS 5155 / ISO5752 / API 609
  - TOP FLANGE DRILLING :- ISO 5211
  - VALVE INSPECTION & TESTING :- BS 6755 PART - 1 / API 598 / EN 12266-1
  - FLANGE STANDARD CONFORMITY :- ANSI 150 / ANSI 125 / BS 10 TAB D & E  
IS 6392 NP 0.6 / 1.0 / 1.6



KARMA AUTOMATION INDUSTRIES.  
MIDC, AMBERNATH-421506



NOTE:-  
1. ALL DIMENSIONS ARE IN MM.

SIZE	TOP FLANGE MOUNTING (I.S.O 5211)														
	MM	INCH	A	B	C	D	E	F	G	TOP FLANGE MOUNTING (I.S.O 5211)		TOP FLANGE MOUNTING (I.S.O 5211)		TOP FLANGE MOUNTING (I.S.O 5211)	
40	1 1/2"	36	92	52	40	65	180	15	F05						
50	2"	43	103	70	50	65	180	15	F05						
65	2 1/2"	46	110	76	63	65	180	15	F05						
80	3"	46	118	85	76	65	215	15	F05						
100	4"	52	148	102	100	65	215	15	F05						
125	5"	56	164	115	125	65	215	15	F05						
150	6"	56	176	130	150	65	265	15	F05						
200	8"	60	230	156	200	75	325	15	F07						

- CONFORMITY TO CODES & STANDARDS
- 1) GENERAL DESIGN & MANUFACTURE :- BS 5155 / API 609 / EN 593 / IS 13095
  - 2) VALVE FACE TO FACE DIMENSION :- BS 5155 / ISO5752 / API 609
  - 3) TOP FLANGE DRILLING :- ISO 5211
  - 4) VALVE INSPECTION & TESTING :- BS 6755 PART - I / API 598 / EN 12266-1
  - 5) FLANGE STANDARD CONFORMITY :- ANSI 150 / ANSI 125 / BS 10 TAB D & E
- IS 6392 NP 0.6 / 1.0 / 1.6

MATERIAL OF CONSTRUCTION	
SR.NO	PART NAME
1	BODY
2	DISC
3	SPINDLE
4	BODY LINING
5	'O' RING
6	PIN
7	LIVER

SEAT TEMPERATURE RANGE	
SEAT TYPE.	TEMPERATURE RANGE
	MIN. Max.
NITRILE	-13°F(-25°C) 212°F(100°C)
EPDM	-13°F(-25°C) 250°F(120°C)
SILICON	-58°F(-50°C) 356°F(180°C)
VITON	-23°F(-5°C) 392°F(200°C)
HYPALON	-4°F(-20°C) 250°F(120°C)

TESTING	HYDROSTATIC SHELL TEST		HYDROSTATIC SEAT TEST	
	kg/CM2	PSI	kg/CM2	PSI
PN16	22	310	16	225
PN10	15	210	10	140

CLIENT :-

TITLE : WAFER TYPE BUTTERFLY VALVE WBVF/40-200

DATE : 26/10/18


DRAWN BY : S.S.BAGUL

CHECKED :

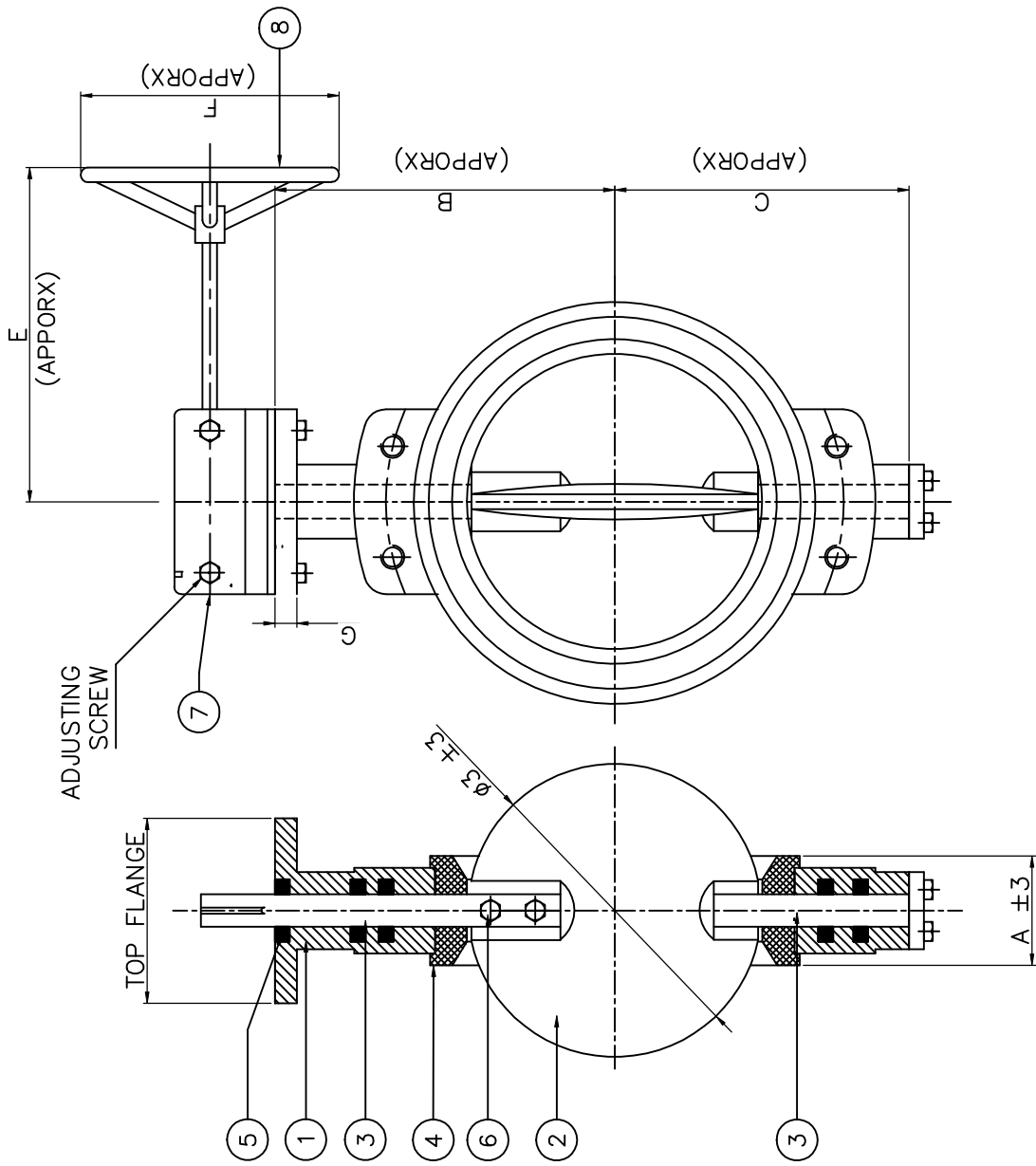
APPROVED BY :

PLOT SCALE : NTS

DRG.NO. : KA/WBVF/40-200

  
**KARMA AUTOMATION INDUSTRIES**  
 KARMA AUTOMATION INDUSTRIES,  
 MIDC, AMBERNATH-421506

SHEET A3



MATERIAL OF CONSTRUCTION	
SR.NO	PART NAME
1	BODY
2	DISC
3	SPINDLE
4	BODY LINING
5	'O' RING
6	PIN
7	GEAR BOX
8	HAND WHEEL

SEAT TYPE.	TEMPERATURE RANGE	
	MIN.	Max.
NITRILE	-13°F(-25°C)	212°F(100°C)
EPDM	-13°F(-25°C)	250°F(120°C)
SILICON	-58°F(-50°C)	356°F(180°C)
VITON	-23°F(-5°C)	392°F(200°C)
HYPALON	-4°F(-20°C)	250°F(120°C)

PRESSURE RATING	HYDROSTATIC SHELL TEST			HYDROSTATIC SEAT TEST		
	kg/CM2	PSI	kg/CM2	PSI	kg/CM2	PSI
PN16	22	310	16	16	225	225
PN10	15	210	10	10	140	140

NOTE:-  
1. ALL DIMENSIONS ARE IN MM.

SIZE	TOP FLANGE MOUNTING (I.S.O 5211)									
	MM	INCH	A	B	C	D	E	F	G	TOP FLANGE MOUNTING (I.S.O 5211)
500	20"	127	465	405	470	370	500	26	F16	
550	22"	127	490	415	525	370	500	26	F16	
600	24"	154	540	460	570	350	600	26	F16	
700	28"	229	565	515	660	380	600	28	F16	
750	30"	229	590	540	740	380	600	28	F25	
800	32"	241	588	650	760	396	600	28	F25	
900	36"	241	720	660	890	396	600	28	F25	

- CONFORMITY TO CODES & STANDARDS
- GENERAL DESIGN & MANUFACTURE :- BS 5155 / API 609 / EN 593 / IS 13095
  - VALVE FACE TO FACE DIMENSION :- BS 5155 / ISO5752 / API 609
  - TOP FLANGE DRILLING :- ISO 5211
  - VALVE INSPECTION & TESTING :- BS 6755 PART - I / API 598 / EN 12266-1
  - FLANGE STANDARD CONFORMITY :- ANSI 150 / ANSI 125 / BS 10 TAB D & E  
IS 6392 NP 0.6 / 1.0 / 1.6

CLIENT	
TITLE : WAFER TYPE BUTTERFLY VALVE WBFV-G/500-900	
DATE	26/10/18
DRAWN BY	S.S.BAGUL
CHECKED	
APPROVED BY	
PLOT SCALE	NTS
DRG.NO.	KAWBFV-G/500-900

KARMA AUTOMATION INDUSTRIES.  
MIDC, AMBERNATH-421506